

PRODUCT DESCRIPTION



MLA08020060

MODULAR ENCLOSURE WITH POLYCARBONATE DOOR

*representative image

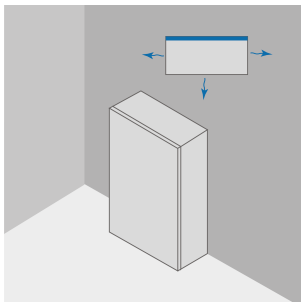
TECHNICAL CHARACTERISTICS

| | | |
|--|---|----------|
| PRODUCT CODE | MLA08020060 | |
| DESCRIPTION | MODULAR ENCLOSURE WITH POLYCARBONATE DOOR B800 X H2000 X P600 | |
| MATERIAL | STAINLESS STEEL AISI 304 (1.4301) | |
| MATERIAL FINISHING | SCOTCH BRITE | |
| IP PROTECTION GRADE EN 60529 | IP66 | |
| IK RATING EN 62262 | IK10 | |
| NEMA RATING 250 | 4X | |
| UL/CSA UL508A CERTIFICATION, CSA C22.2 n° 14-13 | NEMA 1.12.4.4X | |
| DIMENSIONS | WIDTH mm | 800 |
| | HEIGHT mm | 2000 |
| | DEPTH mm | 600 |
| VIEWING DIMENSIONS | WIDTH mm | 560 |
| | HEIGHT mm | 1780 |
| FRAME | THICKNESS mm | - |
| | PROFILED STRUCTURE WELDED ON MICRO-CAST TRIPOD | |
| DOOR | THICKNESS mm | 1.5 |
| | AIS1304 STAINLESS STEEL CONCEALED HINGES , OPENING SUP. 120° POLYURETHANE GASKET (TEMPERATURE RANGE: -40°C + 90°C) | |
| BACK | THICKNESS mm | 1.5 |
| SIDES | THICKNESS mm | 1.5 |
| ROOF | THICKNESS mm | 1.5 |
| NUMBER OF DOORS | 1 | |
| NUMBER OF HINGES | 4 | |
| HANDLES | 1 | |
| LOCKING POINTS | 4 | |
| LOCK | ERGONOMIC HANDLE WITH 3 mm DOUBLE BIT LOCK | |
| SUPPLY KIT | GROUNDING ACCESSORIES AND PALLET PACKING | |
| PACKAGING | CARDBOARD | |
| WEIGHT (PLATE EXCLUDED) | m ³ | 98.20.00 |
| VOLUME | Kg | 1.36 |

| | | |
|--------------------------------------|------------------------|------------------|
| (OPTIONAL) INTERNAL PLATE | PLATE CODE | MPE080200 |
| | MATERIAL | GALVANIZED STEEL |
| | WIDTH mm | 800 |
| | HEIGHT mm | 1920/1875 |
| | THICKNESS mm | 2.5 |
| | OVERALL SIZE mm | 28 |
| | WEIGHT Kg | 48 |

POWER DISSIPATION TABLES

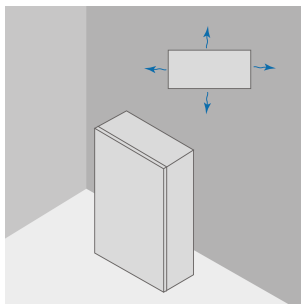
POWER DISSIPATION



MAXIMUM DISSIPABLE POWER IN WATT (W) FOR ALLOWED OVERTEMPERATURE (T °) VALUES (EXTERNAL TEMP. + OVERTEMPERATURE = 60 ° C)

| | | | REAR RAGAINST WALL | | | |
|-----|------|-----|-----------------------------|------|------|------|
| W | H | D | OVERTEMPERATURE VALUES (dT) | | | |
| | | | 25°C | 30°C | 35°C | 40°C |
| mm | mm | mm | W | W | W | W |
| 800 | 2000 | 600 | 582 | 699 | 815 | 932 |

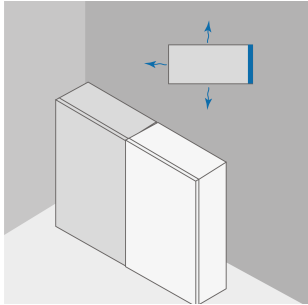
POWER DISSIPATION



MAXIMUM DISSIPABLE POWER IN WATT (W) FOR ALLOWED OVERTEMPERATURE (T °) VALUES (EXTERNAL TEMP. + OVERTEMPERATURE = 60 ° C)

| | | | ALL SIDES FREE | | | |
|-----|------|-----|-----------------------------|------|------|------|
| W | H | D | OVERTEMPERATURE VALUES (dT) | | | |
| | | | 25°C | 30°C | 35°C | 40°C |
| mm | mm | mm | W | W | W | W |
| 800 | 2000 | 600 | 602 | 722 | 842 | 963 |

download link CAD drawing: <https://www.compex.it/download/>

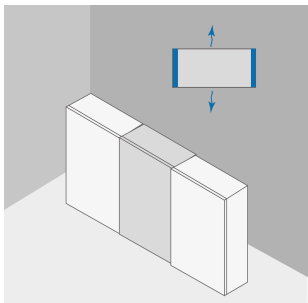
POWER DISSIPATION

 MAXIMUM DISSIPABLE POWER IN WATT (W) FOR ALLOWED OVERTEMPERATURE (T °)
 VALUES (EXTERNAL TEMP. + OVERTEMPERATURE = 60 ° C)

| | | | EXTERNAL (COUPLED ENCLOSURES) | | | |
|-----|------|-----|-------------------------------|------|------|------|
| | | | OVERTEMPERATURE VALUES (dT) | | | |
| W | H | D | 25°C | 30°C | 35°C | 40°C |
| mm | mm | mm | W | W | W | W |
| 800 | 2000 | 600 | 547 | 657 | 766 | 876 |

POWER DISSIPATION

 MAXIMUM DISSIPABLE POWER IN WATT (W) FOR ALLOWED OVERTEMPERATURE (T °)
 VALUES (EXTERNAL TEMP. + OVERTEMPERATURE = 60 ° C)

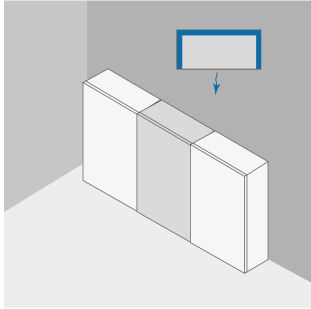
| | | | EXTERNAL (COUPLED ENCLOSURES, REAR AGAINST WALL) | | | |
|-----|------|-----|--|------|------|------|
| | | | OVERTEMPERATURE VALUES (dT) | | | |
| W | H | D | 25°C | 30°C | 35°C | 40°C |
| mm | mm | mm | W | W | W | W |
| 800 | 2000 | 600 | 527 | 633 | 738 | 844 |

POWER DISSIPATION

 MAXIMUM DISSIPABLE POWER IN WATT (W) FOR ALLOWED OVERTEMPERATURE (T °)
 VALUES (EXTERNAL TEMP. + OVERTEMPERATURE = 60 ° C)

| | | | MIDDLE (COUPLED ENCLOSURES) | | | |
|-----|------|-----|-----------------------------|------|------|------|
| | | | OVERTEMPERATURE VALUES (dT) | | | |
| W | H | D | 25°C | 30°C | 35°C | 40°C |
| mm | mm | mm | W | W | W | W |
| 800 | 2000 | 600 | 495 | 593 | 694 | 790 |

POWER DISSIPATION

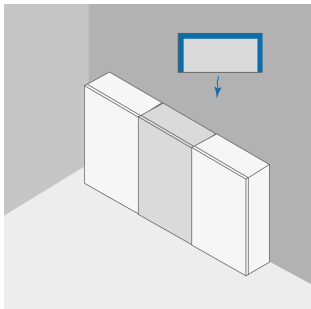
MAXIMUM DISSIPABLE POWER IN WATT (W) FOR ALLOWED OVERTEMPERATURE (T °) VALUES (EXTERNAL TEMP. + OVERTEMPERATURE = 60 ° C)



| MIDDLE (COUPLED ENCLOSURES, REAR AGAINST WALL) | | | OVERTEMPERATURE VALUES (dT) | | | |
|--|------|-----|-----------------------------|------|------|------|
| W | H | D | 25°C | 30°C | 35°C | 40°C |
| | | | W | W | W | W |
| 800 | 2000 | 600 | 472 | 567 | 662 | 755 |

POWER DISSIPATION

MAXIMUM DISSIPABLE POWER IN WATT (W) FOR ALLOWED OVERTEMPERATURE (T °) VALUES (EXTERNAL TEMP. + OVERTEMPERATURE = 60 ° C)



| MIDDLE (COUPLED ENCLOSURES, REAR AGAINST WALL), TOP NOT FREE | | | OVERTEMPERATURE VALUES (dT) | | | |
|--|------|-----|-----------------------------|------|------|------|
| W | H | D | 25°C | 30°C | 35°C | 40°C |
| | | | W | W | W | W |
| 800 | 2000 | 600 | 321 | 387 | 451 | 515 |