

## PRODUCT DESCRIPTION



## MLA08020050

MODULAR ENCLOSURE WITH POLYCARBONATE DOOR

\*representative image

## TECHNICAL CHARACTERISTICS

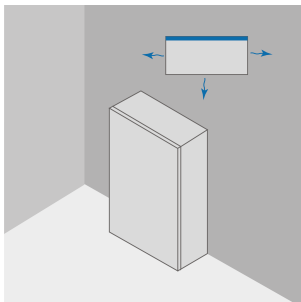
<b>PRODUCT CODE</b>	MLA08020050	
<b>DESCRIPTION</b>	MODULAR ENCLOSURE WITH POLYCARBONATE DOOR B800 X H2000 X P500	
<b>MATERIAL</b>	STAINLESS STEEL AISI 304 (1.4301)	
<b>MATERIAL FINISHING</b>	SCOTCH BRITE	
<b>IP PROTECTION GRADE EN 60529</b>	IP66	
<b>IK RATING EN 62262</b>	IK10	
<b>NEMA RATING 250</b>	4X	
<b>UL/CSA UL508A CERTIFICATION, CSA C22.2 n° 14-13</b>	NEMA 1.12.4.4X	
<b>DIMENSIONS</b>	WIDTH mm	800
	HEIGHT mm	2000
	DEPTH mm	500
<b>VIEWING DIMENSIONS</b>	WIDTH mm	560
	HEIGHT mm	1780
<b>FRAME</b>	THICKNESS mm	-
	PROFILED STRUCTURE WELDED ON MICRO-CAST TRIPOD	
<b>DOOR</b>	THICKNESS mm	1.5
	AIS1304 STAINLESS STEEL CONCEALED HINGES , OPENING SUP. 120° POLYURETHANE GASKET (TEMPERATURE RANGE: -40°C + 90°C)	
<b>BACK</b>	THICKNESS mm	1.5
<b>SIDES</b>	THICKNESS mm	1.5
<b>ROOF</b>	THICKNESS mm	1.5
<b>NUMBER OF DOORS</b>	1	
<b>NUMBER OF HINGES</b>	4	
<b>HANDLES</b>	1	
<b>LOCKING POINTS</b>	4	
<b>LOCK</b>	ERGONOMIC HANDLE WITH 3 mm DOUBLE BIT LOCK	
<b>SUPPLY KIT</b>	GROUNDING ACCESSORIES AND PALLET PACKING	
<b>PACKAGING</b>	CARDBOARD	
<b>WEIGHT (PLATE EXCLUDED)</b>	m <sup>3</sup>	97.20.00
<b>VOLUME</b>	Kg	1.20

<b>(OPTIONAL) INTERNAL PLATE</b>	<b>PLATE CODE</b>	MPE080200
	<b>MATERIAL</b>	GALVANIZED STEEL
	<b>WIDTH mm</b>	800
	<b>HEIGHT mm</b>	1920/1875
	<b>THICKNESS mm</b>	2.5
	<b>OVERALL SIZE mm</b>	28
	<b>WEIGHT Kg</b>	48

## POWER DISSIPATION TABLES

### POWER DISSIPATION

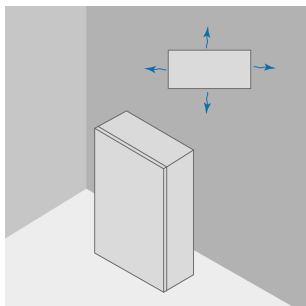
MAXIMUM DISSIPABLE POWER IN WATT (W) FOR ALLOWED OVERTEMPERATURE (T °) VALUES (EXTERNAL TEMP. + OVERTEMPERATURE = 60 ° C)



			REAR RAGAINST WALL			
W	H	D	OVERTEMPERATURE VALUES (dT)			
			25°C	30°C	35°C	40°C
mm	mm	mm	W	W	W	W
800	2000	500	516	619	722	825

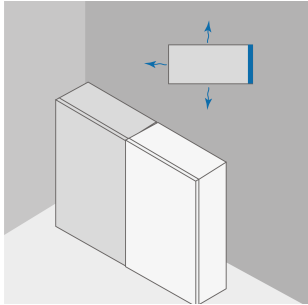
### POWER DISSIPATION

MAXIMUM DISSIPABLE POWER IN WATT (W) FOR ALLOWED OVERTEMPERATURE (T °) VALUES (EXTERNAL TEMP. + OVERTEMPERATURE = 60 ° C)



			ALL SIDES FREE			
W	H	D	OVERTEMPERATURE VALUES (dT)			
			25°C	30°C	35°C	40°C
mm	mm	mm	W	W	W	W
800	2000	500	533	639	745	852

download link CAD drawing: <https://www.compex.it/download/>

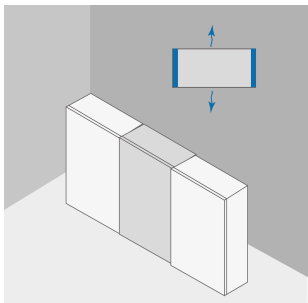
**POWER DISSIPATION**

 MAXIMUM DISSIPABLE POWER IN WATT (W) FOR ALLOWED OVERTEMPERATURE (T °)  
 VALUES (EXTERNAL TEMP. + OVERTEMPERATURE = 60 ° C)

			EXTERNAL (COUPLED ENCLOSURES)			
			OVERTEMPERATURE VALUES (dT)			
W	H	D	25°C	30°C	35°C	40°C
mm	mm	mm	W	W	W	W
800	2000	500	485	582	678	775

**POWER DISSIPATION**

 MAXIMUM DISSIPABLE POWER IN WATT (W) FOR ALLOWED OVERTEMPERATURE (T °)  
 VALUES (EXTERNAL TEMP. + OVERTEMPERATURE = 60 ° C)

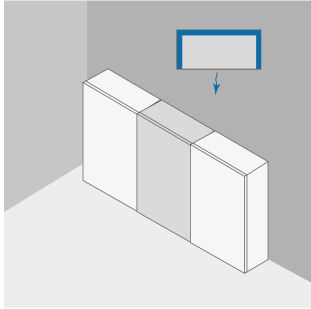
			EXTERNAL (COUPLED ENCLOSURES, REAR AGAINST WALL)			
			OVERTEMPERATURE VALUES (dT)			
W	H	D	25°C	30°C	35°C	40°C
mm	mm	mm	W	W	W	W
800	2000	500	470	564	657	751

**POWER DISSIPATION**

 MAXIMUM DISSIPABLE POWER IN WATT (W) FOR ALLOWED OVERTEMPERATURE (T °)  
 VALUES (EXTERNAL TEMP. + OVERTEMPERATURE = 60 ° C)

			MIDDLE (COUPLED ENCLOSURES)			
			OVERTEMPERATURE VALUES (dT)			
W	H	D	25°C	30°C	35°C	40°C
mm	mm	mm	W	W	W	W
800	2000	500	441	528	618	704

**POWER DISSIPATION**

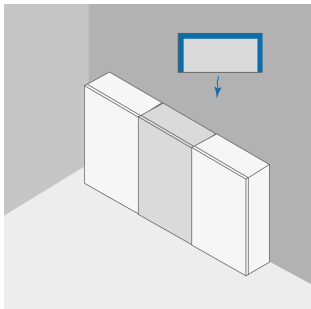
MAXIMUM DISSIPABLE POWER IN WATT (W) FOR ALLOWED OVERTEMPERATURE (T °) VALUES (EXTERNAL TEMP. + OVERTEMPERATURE = 60 ° C)



MIDDLE (COUPLED ENCLOSURES, REAR AGAINST WALL)			OVERTEMPERATURE VALUES (dT)			
W	H	D	25°C	30°C	35°C	40°C
			W	W	W	W
800	2000	500	419	503	587	671

**POWER DISSIPATION**

MAXIMUM DISSIPABLE POWER IN WATT (W) FOR ALLOWED OVERTEMPERATURE (T °) VALUES (EXTERNAL TEMP. + OVERTEMPERATURE = 60 ° C)



MIDDLE (COUPLED ENCLOSURES, REAR AGAINST WALL), TOP NOT FREE			OVERTEMPERATURE VALUES (dT)			
W	H	D	25°C	30°C	35°C	40°C
			W	W	W	W
800	2000	500	285	343	401	458