

## PRODUCT DESCRIPTION



### MCA16018060

MODULAR ENCLOSURE WITH SOLID DOOR. 2 DOORS

\*representative image

## TECHNICAL CHARACTERISTICS

<b>PRODUCT CODE</b>	MCA16018060	
<b>DESCRIPTION</b>	MODULAR ENCLOSURE WITH SOLID DOOR. 2 DOORS B1600 X H1800 X P600	
<b>MATERIAL</b>	STAINLESS STEEL AISI 304 (1.4301)	
<b>MATERIAL FINISHING</b>	SCOTCH BRITE	
<b>IP PROTECTION GRADE EN 60529</b>	IP55	
<b>IK RATING EN 62262</b>	IK10	
<b>NEMA RATING 250</b>	12	
<b>UL/CSA UL508A CERTIFICATION, CSA C22.2 n° 14-13</b>	NEMA 1.12	
<b>DIMENSIONS</b>	WIDTH mm	1600
	HEIGHT mm	1800
	DEPTH mm	600
<b>FRAME</b>	THICKNESS mm	-
	PROFILED STRUCTURE WELDED ON MICRO-CAST TRIPOD	
<b>DOOR</b>	THICKNESS mm	1,5
	AIS304 STAINLESS STEEL CONCEALED HINGES , OPENING SUP. 120° POLYURETHANE GASKET (TEMPERATURE RANGE: -40°C + 90°C)	
<b>BACK</b>	THICKNESS mm	1,5
<b>SIDES</b>	THICKNESS mm	1,5
<b>ROOF</b>	THICKNESS mm	1,5
<b>NUMBER OF DOORS</b>	2	
<b>NUMBER OF HINGES</b>	8	
<b>HANDLES</b>	2	
<b>LOCKING POINTS</b>	5	
<b>LOCK</b>	ERGONOMIC HANDLE WITH 3 mm DOUBLE BIT LOCK	
<b>SUPPLY KIT</b>	GROUNDING ACCESSORIES AND PALLET PACKING	
<b>PACKAGING</b>	CARDBOARD	
<b>WEIGHT (PLATE EXCLUDED)</b>	Kg	161,1
<b>VOLUME</b>	m <sup>3</sup>	1,73

<b>(OPTIONAL) INTERNAL PLATE</b>	<b>PLATE CODE</b>	2 x MPE080180
	<b>MATERIAL</b>	GALVANIZED STEEL
	<b>WIDTH mm</b>	1600
	<b>HEIGHT mm</b>	1720/1675
	<b>THICKNESS mm</b>	2,5
	<b>OVERALL SIZE mm</b>	28
	<b>WEIGHT Kg</b>	87,6

## POWER DISSIPATION TABLES

### POWER DISSIPATION

MAXIMUM DISSIPABLE POWER IN WATT (W) FOR ALLOWED OVERTEMPERATURE (T °)  
 VALUES (EXTERNAL TEMP. + OVERTEMPERATURE = 60 ° C)



			REAR RAGAINST WALL			
			OVERTEMPERATURE VALUES (dT)			
W	H	D	25°C	30°C	35°C	40°C
mm	mm	mm	W	W	W	W
1600	1800	600	664	797	930	1062

### POWER DISSIPATION

MAXIMUM DISSIPABLE POWER IN WATT (W) FOR ALLOWED OVERTEMPERATURE (T °)  
 VALUES (EXTERNAL TEMP. + OVERTEMPERATURE = 60 ° C)



			ALL SIDES FREE			
			OVERTEMPERATURE VALUES (dT)			
W	H	D	25°C	30°C	35°C	40°C
mm	mm	mm	W	W	W	W
1600	1800	600	696	835	975	1113

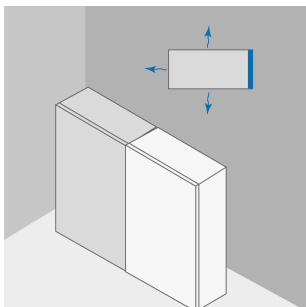
download link CAD drawing: <https://www.compex.it/download/>

**POWER DISSIPATION**

 MAXIMUM DISSIPABLE POWER IN WATT (W) FOR ALLOWED OVERTEMPERATURE (T °)  
 VALUES (EXTERNAL TEMP. + OVERTEMPERATURE = 60 ° C)

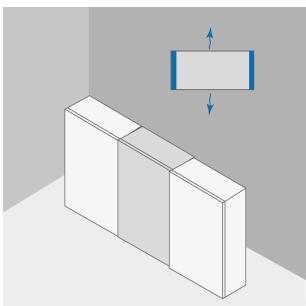

EXTERNAL (COUPLED ENCLOSURES)			OVERTEMPERATURE VALUES (dT)			
W	H	D	25°C	30°C	35°C	40°C
			W	W	W	W
mm	mm	mm	W	W	W	W
1600	1800	600	648	778	908	1037

**POWER DISSIPATION**

 MAXIMUM DISSIPABLE POWER IN WATT (W) FOR ALLOWED OVERTEMPERATURE (T °)  
 VALUES (EXTERNAL TEMP. + OVERTEMPERATURE = 60 ° C)


EXTERNAL (COUPLED ENCLOSURES, REAR AGAINST WALL)			OVERTEMPERATURE VALUES (dT)			
W	H	D	25°C	30°C	35°C	40°C
			W	W	W	W
mm	mm	mm	W <td>W</td> <td>W</td> <td>W</td>	W	W	W
1600	1800	600	628	754	880	1004

**POWER DISSIPATION**

 MAXIMUM DISSIPABLE POWER IN WATT (W) FOR ALLOWED OVERTEMPERATURE (T °)  
 VALUES (EXTERNAL TEMP. + OVERTEMPERATURE = 60 ° C)


MIDDLE (COUPLED ENCLOSURES)			OVERTEMPERATURE VALUES (dT)			
W	H	D	25°C	30°C	35°C	40°C
			W	W	W	W
mm	mm	mm	W <td>W</td> <td>W</td> <td>W</td>	W	W	W
1600	1800	600	621	745	870	993

**POWER DISSIPATION**

 MAXIMUM DISSIPABLE POWER IN WATT (W) FOR ALLOWED OVERTEMPERATURE (T °)  
 VALUES (EXTERNAL TEMP. + OVERTEMPERATURE = 60 ° C)


MIDDLE (COUPLED ENCLOSURES, REAR AGAINST WALL)			OVERTEMPERATURE VALUES (dT)			
W	H	D	25°C	30°C	35°C	40°C
mm	mm	mm	W	W	W	W
1600	1800	600	592	710	829	600

**POWER DISSIPATION**

 MAXIMUM DISSIPABLE POWER IN WATT (W) FOR ALLOWED OVERTEMPERATURE (T °)  
 VALUES (EXTERNAL TEMP. + OVERTEMPERATURE = 60 ° C)


MIDDLE (COUPLED ENCLOSURES, REAR AGAINST WALL), TOP NOT FREE			OVERTEMPERATURE VALUES (dT)			
W	H	D	25°C	30°C	35°C	40°C
mm	mm	mm	W	W	W	W
1600	1800	500	363	435	508	580