

PRODUCT DESCRIPTION



MCA12018050

MODULAR ENCLOSURE WITH SOLID DOOR. 2 DOORS

*representative image

TECHNICAL CHARACTERISTICS

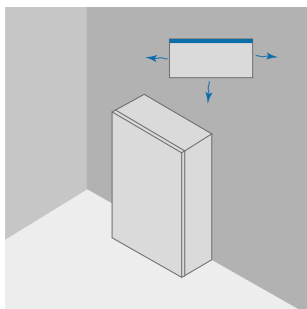
| | | |
|--|---|-------|
| PRODUCT CODE | MCA12018050 | |
| DESCRIPTION | MODULAR ENCLOSURE WITH SOLID DOOR. 2 DOORS B1200 X H1800 X P500 | |
| MATERIAL | STAINLESS STEEL AISI 304 (1.4301) | |
| MATERIAL FINISHING | SCOTCH BRITE | |
| IP PROTECTION GRADE EN 60529 | IP55 | |
| IK RATING EN 62262 | IK10 | |
| NEMA RATING 250 | 12 | |
| UL/CSA UL508A CERTIFICATION, CSA C22.2 n° 14-13 | NEMA 1.12 | |
| DIMENSIONS | WIDTH mm | 1200 |
| | HEIGHT mm | 1800 |
| | DEPTH mm | 500 |
| FRAME | THICKNESS mm | - |
| | PROFILED STRUCTURE WELDED ON MICRO-CAST TRIPOD | |
| DOOR | THICKNESS mm | 1,5 |
| | AIS1304 STAINLESS STEEL CONCEALED HINGES , OPENING SUP. 120° POLYURETHANE GASKET (TEMPERATURE RANGE: -40°C + 90°C) | |
| BACK | THICKNESS mm | 1,5 |
| SIDES | THICKNESS mm | 1,5 |
| ROOF | THICKNESS mm | 1,5 |
| NUMBER OF DOORS | 2 | |
| NUMBER OF HINGES | 8 | |
| HANDLES | 2 | |
| LOCKING POINTS | 5 | |
| LOCK | ERGONOMIC HANDLE WITH 3 mm DOUBLE BIT LOCK | |
| SUPPLY KIT | GROUNDING ACCESSORIES AND PALLET PACKING | |
| PACKAGING | CARDBOARD | |
| WEIGHT (PLATE EXCLUDED) | Kg | 125,7 |
| VOLUME | m ³ | 1,08 |

| | | |
|--------------------------------------|------------------------|------------------|
| (OPTIONAL) INTERNAL PLATE | PLATE CODE | MPE120180 |
| | MATERIAL | GALVANIZED STEEL |
| | WIDTH mm | 1200 |
| | HEIGHT mm | 1720/1675 |
| | THICKNESS mm | 2,5 |
| | OVERALL SIZE mm | 28 |
| | WEIGHT Kg | 63 |

POWER DISSIPATION TABLES

POWER DISSIPATION

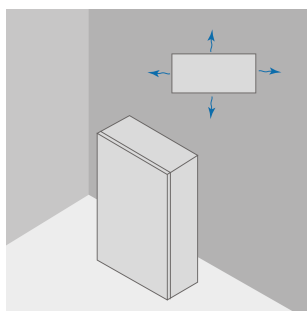
MAXIMUM DISSIPABLE POWER IN WATT (W) FOR ALLOWED OVERTEMPERATURE (T °)
 VALUES (EXTERNAL TEMP. + OVERTEMPERATURE = 60 ° C)



| | | | REAR RAGAINST WALL | | | |
|------|------|-----|-----------------------------|------|------|------|
| | | | OVERTEMPERATURE VALUES (dT) | | | |
| W | H | D | 25°C | 30°C | 35°C | 40°C |
| mm | mm | mm | W | W | W | W |
| 1200 | 1800 | 500 | 492 | 590 | 689 | 787 |

POWER DISSIPATION

MAXIMUM DISSIPABLE POWER IN WATT (W) FOR ALLOWED OVERTEMPERATURE (T °)
 VALUES (EXTERNAL TEMP. + OVERTEMPERATURE = 60 ° C)



| | | | ALL SIDES FREE | | | |
|------|------|-----|-----------------------------|------|------|------|
| | | | OVERTEMPERATURE VALUES (dT) | | | |
| W | H | D | 25°C | 30°C | 35°C | 40°C |
| mm | mm | mm | W | W | W | W |
| 1200 | 1800 | 500 | 516 | 618 | 722 | 825 |

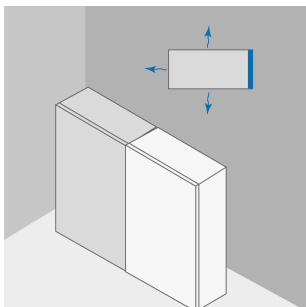
download link CAD drawing: <https://www.compex.it/download/>

POWER DISSIPATION

 MAXIMUM DISSIPABLE POWER IN WATT (W) FOR ALLOWED OVERTEMPERATURE (T °)
 VALUES (EXTERNAL TEMP. + OVERTEMPERATURE = 60 ° C)

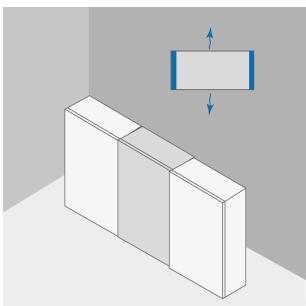

| EXTERNAL (COUPLED ENCLOSURES) | | | OVERTEMPERATURE VALUES (dT) | | | |
|-------------------------------|------|-----|-----------------------------|------|------|------|
| W | H | D | 25°C | 30°C | 35°C | 40°C |
| | | | W | W | W | W |
| mm | mm | mm | W | W | W | W |
| 1200 | 1800 | 500 | 476 | 571 | 667 | 762 |

POWER DISSIPATION

 MAXIMUM DISSIPABLE POWER IN WATT (W) FOR ALLOWED OVERTEMPERATURE (T °)
 VALUES (EXTERNAL TEMP. + OVERTEMPERATURE = 60 ° C)


| EXTERNAL (COUPLED ENCLOSURES, REAR AGAINST WALL) | | | OVERTEMPERATURE VALUES (dT) | | | |
|--|------|-----|-----------------------------|------|------|------|
| W | H | D | 25°C | 30°C | 35°C | 40°C |
| | | | W | W | W | W |
| mm | mm | mm | W | W | W | W |
| 1200 | 1800 | 500 | 460 | 552 | 644 | 736 |

POWER DISSIPATION

 MAXIMUM DISSIPABLE POWER IN WATT (W) FOR ALLOWED OVERTEMPERATURE (T °)
 VALUES (EXTERNAL TEMP. + OVERTEMPERATURE = 60 ° C)


| MIDDLE (COUPLED ENCLOSURES) | | | OVERTEMPERATURE VALUES (dT) | | | |
|-----------------------------|------|-----|-----------------------------|------|------|------|
| W | H | D | 25°C | 30°C | 35°C | 40°C |
| | | | W | W | W | W |
| mm | mm | mm | W | W | W | W |
| 1200 | 1800 | 500 | 449 | 539 | 629 | 719 |

POWER DISSIPATION

 MAXIMUM DISSIPABLE POWER IN WATT (W) FOR ALLOWED OVERTEMPERATURE (T °)
 VALUES (EXTERNAL TEMP. + OVERTEMPERATURE = 60 ° C)


| MIDDLE (COUPLED ENCLOSURES, REAR AGAINST WALL) | | | OVERTEMPERATURE VALUES (dT) | | | |
|--|------|-----|-----------------------------|------|------|------|
| W | H | D | 25°C | 30°C | 35°C | 40°C |
| | | | W | W | W | W |
| mm | mm | mm | | | | |
| 1200 | 1800 | 500 | 427 | 513 | 598 | 500 |

POWER DISSIPATION

 MAXIMUM DISSIPABLE POWER IN WATT (W) FOR ALLOWED OVERTEMPERATURE (T °)
 VALUES (EXTERNAL TEMP. + OVERTEMPERATURE = 60 ° C)


| MIDDLE (COUPLED ENCLOSURES, REAR AGAINST WALL), TOP NOT FREE | | | OVERTEMPERATURE VALUES (dT) | | | |
|--|------|-----|-----------------------------|------|------|------|
| W | H | D | 25°C | 30°C | 35°C | 40°C |
| | | | W | W | W | W |
| mm | mm | mm | | | | |
| 1200 | 1800 | 500 | 270 | 324 | 378 | 432 |