

PRODUCT DESCRIPTION



MCA10018050

MODULAR ENCLOSURE WITH SOLID DOOR

*representative image

TECHNICAL CHARACTERISTICS

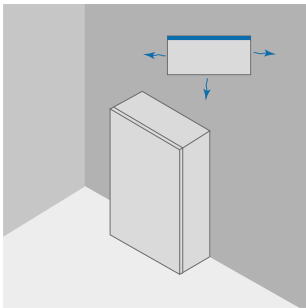
| | | |
|--|---|-------|
| PRODUCT CODE | MCA10018050 | |
| DESCRIPTION | MODULAR ENCLOSURE WITH SOLID DOOR B1000 X H1800 X P500 | |
| MATERIAL | STAINLESS STEEL AISI 304 (1.4301) | |
| MATERIAL FINISHING | SCOTCH BRITE | |
| IP PROTECTION GRADE EN 60529 | IP66 | |
| IK RATING EN 62262 | IK10 | |
| NEMA RATING 250 | 4X | |
| UL/CSA UL508A CERTIFICATION, CSA C22.2 n° 14-13 | NEMA 1.12.4.4X | |
| DIMENSIONS | WIDTH mm | 1000 |
| | HEIGHT mm | 1800 |
| | DEPTH mm | 500 |
| FRAME | THICKNESS mm | - |
| | PROFILED STRUCTURE WELDED ON MICRO-CAST TRIPOD | |
| DOOR | THICKNESS mm | 2 |
| | AIS1304 STAINLESS STEEL CONCEALED HINGES , OPENING SUP. 120° POLYURETHANE GASKET (TEMPERATURE RANGE: -40°C + 90°C) | |
| BACK | THICKNESS mm | 1,5 |
| SIDES | THICKNESS mm | 1,5 |
| ROOF | THICKNESS mm | 1,5 |
| NUMBER OF DOORS | 1 | |
| NUMBER OF HINGES | 4 | |
| HANDLES | 1 | |
| LOCKING POINTS | 4 | |
| LOCK | ERGONOMIC HANDLE WITH 3 mm DOUBLE BIT LOCK | |
| SUPPLY KIT | GROUNDING ACCESSORIES AND PALLET PACKING | |
| PACKAGING | CARDBOARD | |
| WEIGHT (PLATE EXCLUDED) | Kg | 113,4 |
| VOLUME | m ³ | 0,9 |

| | | |
|--------------------------------------|------------------------|------------------|
| (OPTIONAL) INTERNAL PLATE | PLATE CODE | MPE100180 |
| | MATERIAL | GALVANIZED STEEL |
| | WIDTH mm | 1000 |
| | HEIGHT mm | 1720/1675 |
| | THICKNESS mm | 2,5 |
| | OVERALL SIZE mm | 28 |
| | WEIGHT Kg | 53,4 |

POWER DISSIPATION TABLES

POWER DISSIPATION

MAXIMUM DISSIPABLE POWER IN WATT (W) FOR ALLOWED OVERTEMPERATURE (T °)
 VALUES (EXTERNAL TEMP. + OVERTEMPERATURE = 60 ° C)



| | | | REAR RAGAINST WALL | | | |
|------|------|-----|-----------------------------|------|------|------|
| | | | OVERTEMPERATURE VALUES (dT) | | | |
| W | H | D | 25°C | 30°C | 35°C | 40°C |
| mm | mm | mm | W | W | W | W |
| 1000 | 1800 | 500 | 434 | 521 | 608 | 695 |

POWER DISSIPATION

MAXIMUM DISSIPABLE POWER IN WATT (W) FOR ALLOWED OVERTEMPERATURE (T °)
 VALUES (EXTERNAL TEMP. + OVERTEMPERATURE = 60 ° C)



| | | | ALL SIDES FREE | | | |
|------|------|-----|-----------------------------|------|------|------|
| | | | OVERTEMPERATURE VALUES (dT) | | | |
| W | H | D | 25°C | 30°C | 35°C | 40°C |
| mm | mm | mm | W | W | W | W |
| 1000 | 1800 | 500 | 452 | 543 | 633 | 724 |

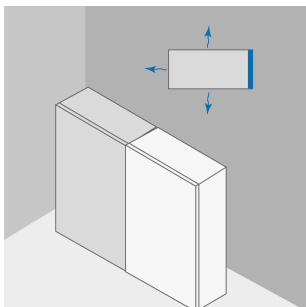
download link CAD drawing: <https://www.compex.it/download/>

POWER DISSIPATION

 MAXIMUM DISSIPABLE POWER IN WATT (W) FOR ALLOWED OVERTEMPERATURE (T °)
 VALUES (EXTERNAL TEMP. + OVERTEMPERATURE = 60 ° C)

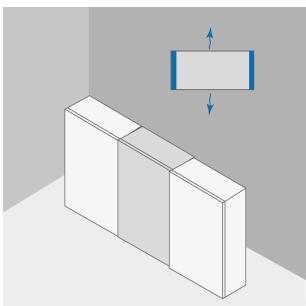

| EXTERNAL (COUPLED ENCLOSURES) | | | OVERTEMPERATURE VALUES (dT) | | | |
|-------------------------------|------|-----|-----------------------------|------|------|------|
| W | H | D | 25°C | 30°C | 35°C | 40°C |
| | | | W | W | W | W |
| mm | mm | mm | | | | |
| 1000 | 1800 | 500 | 420 | 504 | 588 | 672 |

POWER DISSIPATION

 MAXIMUM DISSIPABLE POWER IN WATT (W) FOR ALLOWED OVERTEMPERATURE (T °)
 VALUES (EXTERNAL TEMP. + OVERTEMPERATURE = 60 ° C)


| EXTERNAL (COUPLED ENCLOSURES, REAR AGAINST WALL) | | | OVERTEMPERATURE VALUES (dT) | | | |
|--|------|-----|-----------------------------|------|------|------|
| W | H | D | 25°C | 30°C | 35°C | 40°C |
| | | | W | W | W | W |
| mm | mm | mm | | | | |
| 1000 | 1800 | 500 | 402 | 483 | 563 | 644 |

POWER DISSIPATION

 MAXIMUM DISSIPABLE POWER IN WATT (W) FOR ALLOWED OVERTEMPERATURE (T °)
 VALUES (EXTERNAL TEMP. + OVERTEMPERATURE = 60 ° C)


| MIDDLE (COUPLED ENCLOSURES) | | | OVERTEMPERATURE VALUES (dT) | | | |
|-----------------------------|------|-----|-----------------------------|------|------|------|
| W | H | D | 25°C | 30°C | 35°C | 40°C |
| | | | W | W | W | W |
| mm | mm | mm | | | | |
| 1000 | 1800 | 500 | 388 | 465 | 544 | 620 |

POWER DISSIPATION

 MAXIMUM DISSIPABLE POWER IN WATT (W) FOR ALLOWED OVERTEMPERATURE (T °)
 VALUES (EXTERNAL TEMP. + OVERTEMPERATURE = 60 ° C)


| MIDDLE (COUPLED ENCLOSURES, REAR AGAINST WALL) | | | OVERTEMPERATURE VALUES (dT) | | | |
|--|------|-----|-----------------------------|------|------|------|
| W | H | D | 25°C | 30°C | 35°C | 40°C |
| | | | mm | mm | mm | W |
| 1000 | 1800 | 500 | 369 | 444 | 517 | 500 |

POWER DISSIPATION

 MAXIMUM DISSIPABLE POWER IN WATT (W) FOR ALLOWED OVERTEMPERATURE (T °)
 VALUES (EXTERNAL TEMP. + OVERTEMPERATURE = 60 ° C)


| MIDDLE (COUPLED ENCLOSURES, REAR AGAINST WALL), TOP NOT FREE | | | OVERTEMPERATURE VALUES (dT) | | | |
|--|------|-----|-----------------------------|------|------|------|
| W | H | D | 25°C | 30°C | 35°C | 40°C |
| | | | mm | mm | mm | W |
| 1000 | 1800 | 500 | 239 | 286 | 334 | 382 |