

## PRODUCT DESCRIPTION



# MCA08020060

MODULAR ENCLOSURE WITH SOLID DOOR

\*representative image

## TECHNICAL CHARACTERISTICS

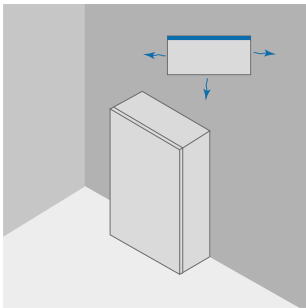
<b>PRODUCT CODE</b>	MCA08020060	
<b>DESCRIPTION</b>	MODULAR ENCLOSURE WITH SOLID DOOR B800 X H2000 X P600	
<b>MATERIAL</b>	STAINLESS STEEL AISI 304 (1.4301)	
<b>MATERIAL FINISHING</b>	SCOTCH BRITE	
<b>IP PROTECTION GRADE EN 60529</b>	IP66	
<b>IK RATING EN 62262</b>	IK10	
<b>NEMA RATING 250</b>	4X	
<b>UL/CSA UL508A CERTIFICATION, CSA C22.2 n° 14-13</b>	NEMA 1.12.4.4X	
<b>DIMENSIONS</b>	WIDTH mm	800
	HEIGHT mm	2000
	DEPTH mm	600
<b>FRAME</b>	THICKNESS mm	-
	PROFILED STRUCTURE WELDED ON MICRO-CAST TRIPOD	
<b>DOOR</b>	THICKNESS mm	1,5
	AISI304 STAINLESS STEEL CONCEALED HINGES , OPENING SUP. 120° POLYURETHANE GASKET (TEMPERATURE RANGE: -40°C + 90°C)	
<b>BACK</b>	THICKNESS mm	1,5
<b>SIDES</b>	THICKNESS mm	1,5
<b>ROOF</b>	THICKNESS mm	1,5
<b>NUMBER OF DOORS</b>	1	
<b>NUMBER OF HINGES</b>	4	
<b>HANDLES</b>	1	
<b>LOCKING POINTS</b>	4	
<b>LOCK</b>	ERGONOMIC HANDLE WITH 3 mm DOUBLE BIT LOCK	
<b>SUPPLY KIT</b>	GROUNDING ACCESSORIES AND PALLET PACKING	
<b>PACKAGING</b>	CARDBOARD	
<b>WEIGHT (PLATE EXCLUDED)</b>	Kg	97,8
<b>VOLUME</b>	m <sup>3</sup>	0,96

<b>(OPTIONAL) INTERNAL PLATE</b>	<b>PLATE CODE</b>	MPE080200
	<b>MATERIAL</b>	GALVANIZED STEEL
	<b>WIDTH mm</b>	800
	<b>HEIGHT mm</b>	1920/1875
	<b>THICKNESS mm</b>	2,5
	<b>OVERALL SIZE mm</b>	28
	<b>WEIGHT Kg</b>	48

## POWER DISSIPATION TABLES

### POWER DISSIPATION

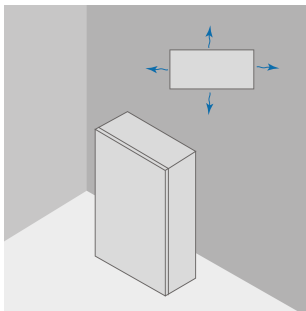
MAXIMUM DISSIPABLE POWER IN WATT (W) FOR ALLOWED OVERTEMPERATURE (T °)  
 VALUES (EXTERNAL TEMP. + OVERTEMPERATURE = 60 ° C)



			REAR RAGAINST WALL			
			OVERTEMPERATURE VALUES (dT)			
W	H	D	25°C	30°C	35°C	40°C
mm	mm	mm	W	W	W	W
800	2000	600	455	546	637	728

### POWER DISSIPATION

MAXIMUM DISSIPABLE POWER IN WATT (W) FOR ALLOWED OVERTEMPERATURE (T °)  
 VALUES (EXTERNAL TEMP. + OVERTEMPERATURE = 60 ° C)



			ALL SIDES FREE			
			OVERTEMPERATURE VALUES (dT)			
W	H	D	25°C	30°C	35°C	40°C
mm	mm	mm	W	W	W	W
800	2000	600	470	564	658	752

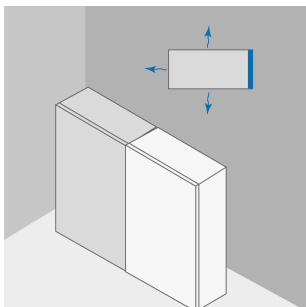
download link CAD drawing: <https://www.compex.it/download/>

**POWER DISSIPATION**

 MAXIMUM DISSIPABLE POWER IN WATT (W) FOR ALLOWED OVERTEMPERATURE (T °)  
 VALUES (EXTERNAL TEMP. + OVERTEMPERATURE = 60 ° C)

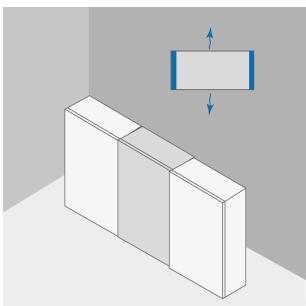

EXTERNAL (COUPLED ENCLOSURES)			OVERTEMPERATURE VALUES (dT)			
W	H	D	25°C	30°C	35°C	40°C
			W	W	W	W
mm	mm	mm				
800	2000	600	428	513	599	684

**POWER DISSIPATION**

 MAXIMUM DISSIPABLE POWER IN WATT (W) FOR ALLOWED OVERTEMPERATURE (T °)  
 VALUES (EXTERNAL TEMP. + OVERTEMPERATURE = 60 ° C)


EXTERNAL (COUPLED ENCLOSURES, REAR AGAINST WALL)			OVERTEMPERATURE VALUES (dT)			
W	H	D	25°C	30°C	35°C	40°C
			W	W	W	W
mm	mm	mm				
800	2000	600	412	494	577	659

**POWER DISSIPATION**

 MAXIMUM DISSIPABLE POWER IN WATT (W) FOR ALLOWED OVERTEMPERATURE (T °)  
 VALUES (EXTERNAL TEMP. + OVERTEMPERATURE = 60 ° C)


MIDDLE (COUPLED ENCLOSURES)			OVERTEMPERATURE VALUES (dT)			
W	H	D	25°C	30°C	35°C	40°C
			W	W	W	W
mm	mm	mm				
800	2000	600	387	463	542	617

**POWER DISSIPATION**

 MAXIMUM DISSIPABLE POWER IN WATT (W) FOR ALLOWED OVERTEMPERATURE (T °)  
 VALUES (EXTERNAL TEMP. + OVERTEMPERATURE = 60 ° C)


MIDDLE (COUPLED ENCLOSURES, REAR AGAINST WALL)			OVERTEMPERATURE VALUES (dT)			
W	H	D	25°C	30°C	35°C	40°C
			W	W	W	W
mm	mm	mm				
800	2000	600	369	443	517	600

**POWER DISSIPATION**

 MAXIMUM DISSIPABLE POWER IN WATT (W) FOR ALLOWED OVERTEMPERATURE (T °)  
 VALUES (EXTERNAL TEMP. + OVERTEMPERATURE = 60 ° C)


MIDDLE (COUPLED ENCLOSURES, REAR AGAINST WALL), TOP NOT FREE			OVERTEMPERATURE VALUES (dT)			
W	H	D	25°C	30°C	35°C	40°C
			W	W	W	W
mm	mm	mm				
800	2000	500	251	302	352	402