

PRODUCT DESCRIPTION



FCA12020050

COMPACT ENCLOSURE WITH SOLID DOOR. 2 DOORS

*representative image

TECHNICAL CHARACTERISTICS

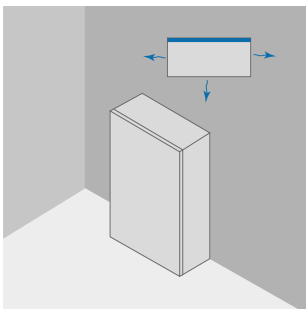
PRODUCT CODE	FCA12020050	
DESCRIPTION	COMPACT ENCLOSURE WITH SOLID DOOR. 2 DOORS B1200 X H2000 X P500	
MATERIAL	STAINLESS STEEL AISI 304 (1.4301)	
MATERIAL FINISHING	SCOTCH BRITE	
IP PROTECTION GRADE EN 60529	IP55	
IK RATING EN 62262	IK10	
NEMA RATING 250	12	
UL/CSA UL508A CERTIFICATION, CSA C22.2 n° 14-13	NEMA 1.12	
DIMENSIONS	WIDTH mm	1200
	HEIGHT mm	2000
	DEPTH mm	500
FRAME	THICKNESS mm	1,5
	CONTINUOUSLY BENT AND WELDED SINGLE-STRUCTURE BODY	
DOOR	THICKNESS mm	1,5
	AISI304 STAINLESS STEEL CONCEALED HINGES , OPENING SUP. 120° POLYURETHANE GASKET (TEMPERATURE RANGE: -40°C + 90°C)	
BACK	THICKNESS mm	1,5
SIDES	THICKNESS mm	-
ROOF	THICKNESS mm	-
NUMBER OF DOORS	2	
NUMBER OF HINGES	8	
HANDLES	2	
LOCKING POINTS	5	
LOCK	ERGONOMIC HANDLE WITH 3 mm DOUBLE BIT LOCK	
SUPPLY KIT	GROUNDING ACCESSORIES AND PALLET PACKING	
PACKAGING	CARDBOARD	
WEIGHT (PLATE EXCLUDED)	Kg	145,8
VOLUME	m ³	1,2

(OPTIONAL) INTERNAL PLATE	PLATE CODE	FPE120200
	MATERIAL	GALVANIZED STEEL
	WIDTH mm	1095
	HEIGHT mm	1930
	THICKNESS mm	2,5
	OVERALL SIZE mm	28
	WEIGHT Kg	57,6

POWER DISSIPATION TABLES

POWER DISSIPATION

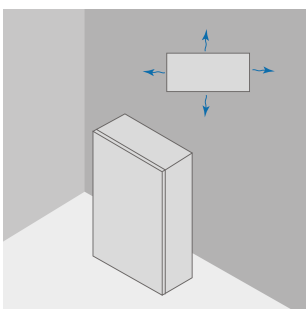
MAXIMUM DISSIPABLE POWER IN WATT (W) FOR ALLOWED OVERTEMPERATURE (T °)
 VALUES (EXTERNAL TEMP. + OVERTEMPERATURE = 60 ° C)



			REAR RAGAINST WALL			
W	H	D	OVERTEMPERATURE VALUES (dT)			
			25°C	30°C	35°C	40°C
mm	mm	mm	W	W	W	W
1200	2000	500	538	646	754	861

POWER DISSIPATION

MAXIMUM DISSIPABLE POWER IN WATT (W) FOR ALLOWED OVERTEMPERATURE (T °)
 VALUES (EXTERNAL TEMP. + OVERTEMPERATURE = 60 ° C)



			ALL SIDES FREE			
W	H	D	OVERTEMPERATURE VALUES (dT)			
			25°C	30°C	35°C	40°C
mm	mm	mm	W	W	W	W
1200	2000	500	560	672	784	896

download link CAD drawing: <https://www.compex.it/download/>