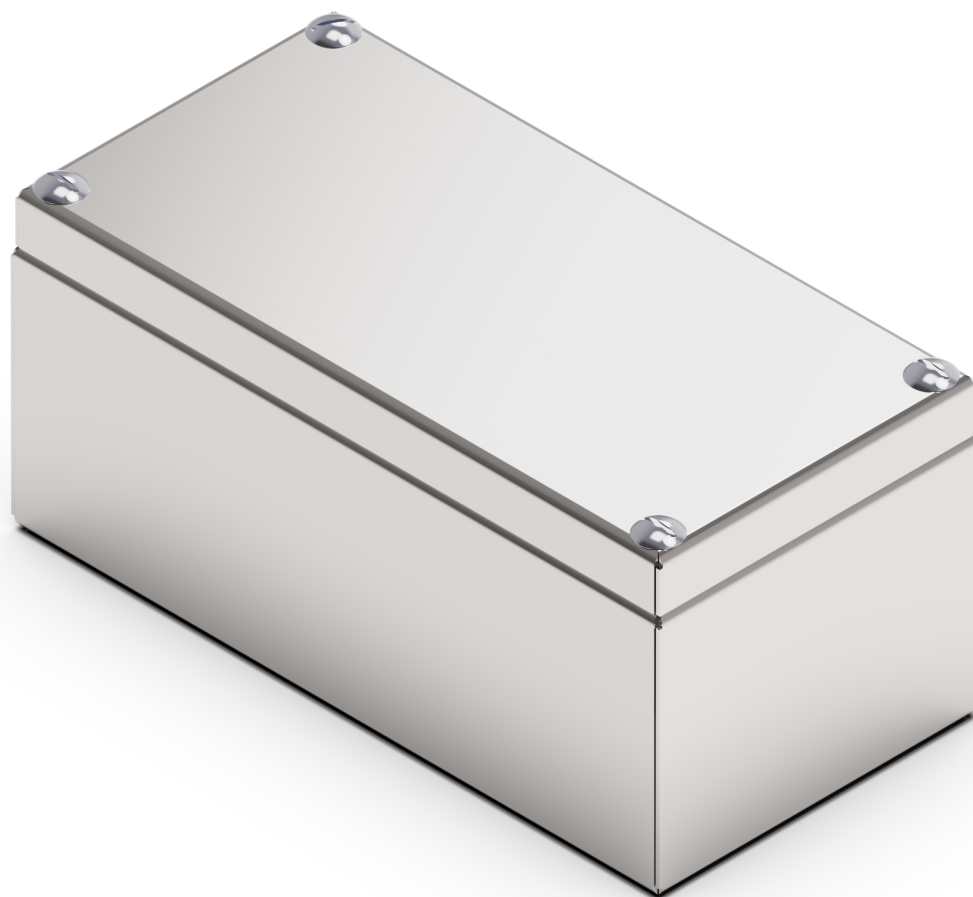


## PRODUCT DESCRIPTION



**SCA01002009**

JUNCTION BOX

\*representative image

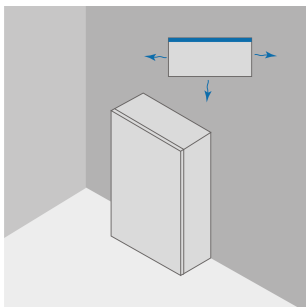
## TECHNICAL CHARACTERISTICS

<b>PRODUCT CODE</b>	SCA01002009	
<b>DESCRIPTION</b>	JUNCTION BOX B100 X H200 X P90	
<b>MATERIAL</b>	STAINLESS STEEL AISI 304 (1.4301)	
<b>MATERIAL FINISHING</b>	SCOTCH BRITE	
<b>IP PROTECTION GRADE (EN 60529)</b>	IP66 / IP69K	
<b>IK RATING (EN 62262)</b>	IK08	
<b>NEMA RATING 250</b>	4X	
<b>UL/CSA UL508A CERTIFICATION, CSA C22.2 n° 14-13</b>	NEMA 1.12.4.4X	
<b>DIMENSIONS</b>	WIDTH mm	100
	HEIGHT mm	200
	DEPTH mm	90
<b>BODY</b>	THICKNESS mm	1.2
	SINGLE-BODY CONSTRUCTION BENT AND CONTINUOUSLY WELDED	
<b>DOOR</b>	THICKNESS mm	1.2
	POLYURETHANE GASKET (RANGE TEMPERATURE: -40°C + 90°C)	
<b>NUMBER OF LOCKS</b>	4	
<b>NUMBER OF REAR FIXING</b>	2	
<b>FIXING INSERT</b>	BLIND THREADED M6	
<b>REAR FIXING DISTANCE</b>	WIDTH mm	50
	HEIGHT mm	160
<b>SUPPLY KIT</b>	-	
<b>PACKAGING</b>	CARDBOARD	
<b>WEIGHT (PLATE EXCLUDED)</b>	Kg	1.5
<b>VOLUME</b>	m <sup>3</sup>	0.02

(OPTIONAL)  INTERNAL PLATE	PLATE CODE	-
	MATERIAL	-
	WIDTH mm	-
	HEIGHT mm	-
	ENCUMBRANCE mm	-
	THICKNESS mm	-
	WEIGHT Kg	-

## POWER DISSIPATION TABLES

### POWER DISSIPATION



MAXIMUM DISSIPABLE POWER IN WATT (W) FOR ALLOWED OVERTEMPERATURE (T °) VALUES (EXTERNAL TEMP. + OVERTEMPERATURE = 60 ° C)

			REAR RAGAINST WALL			
			OVERTEMPERATURE VALUES (dT)			
W	H	D	25°C	30°C	35°C	40°C
mm	mm	mm	W	W	W	W
100	200	90	7	9	10	12

### POWER DISSIPATION



MAXIMUM DISSIPABLE POWER IN WATT (W) FOR ALLOWED OVERTEMPERATURE (T °) VALUES (EXTERNAL TEMP. + OVERTEMPERATURE = 60 ° C)

			ALL SIDES FREE			
			OVERTEMPERATURE VALUES (dT)			
W	H	D	25°C	30°C	35°C	40°C
mm	mm	mm	W	W	W	W
100	200	90	7	9	10	12

download link CAD drawing: <https://www.compex.it/download/>