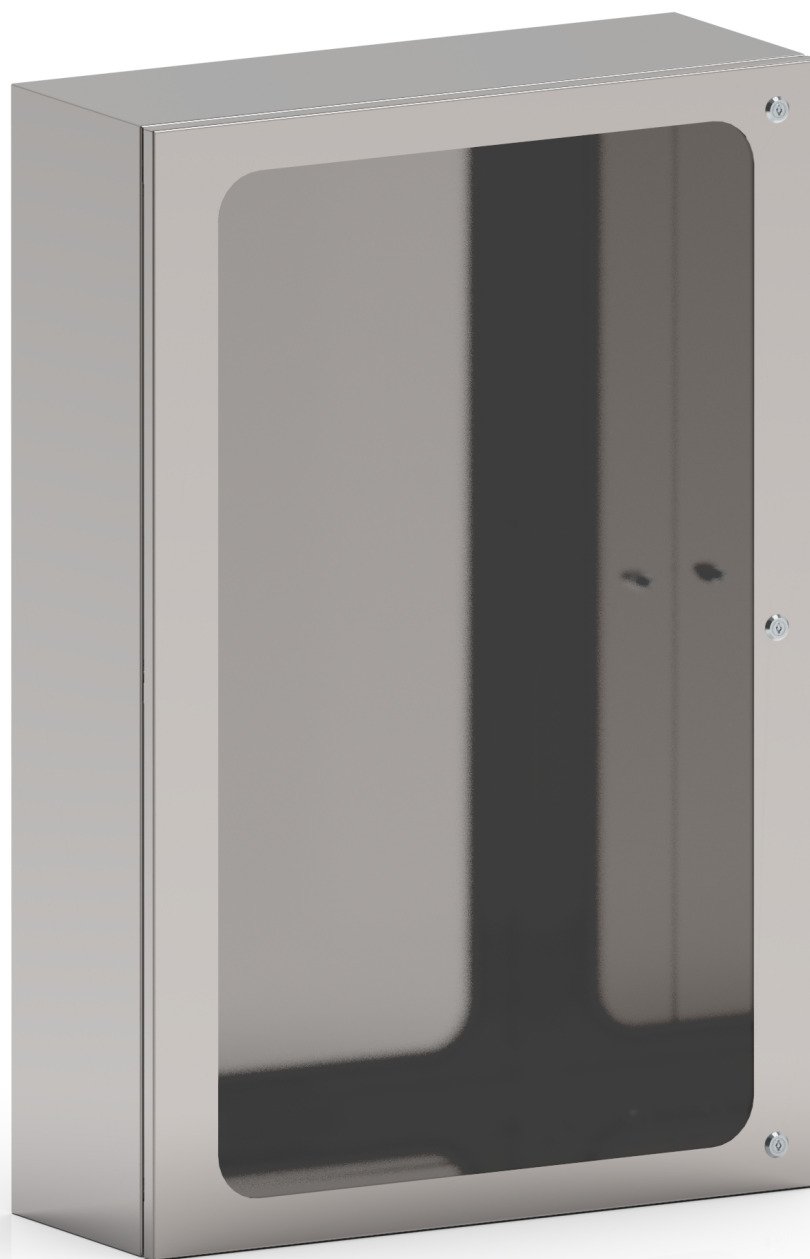


PRODUCT DESCRIPTION



CLA08012030

ENCLOSURE WITH LEXAN DOOR

*representative image

TECHNICAL CHARACTERISTICS

PRODUCT CODE	CLA08012030	
DESCRIPTION	ENCLOSURE WITH LEXAN DOOR W800 X H1200 X D300	
MATERIAL	STAINLESS STEEL AISI 304 (1.4301)	
MATERIAL FINISHING	SCOTCH BRITE	
IP PROTECTION GRADE EN 60529	IP66	
IK RATING EN 62262	IK10	
NEMA RATING 250	4X	
UL/CSA UL508A CERTIFICATION, CSA C22.2 n° 14-13	NEMA 1.12.4.4X	
DIMENSIONS	WIDTH mm	800
	HEIGHT mm	1200
	DEPTH mm	300
VIEWING DIMENSIONS	WIDTH mm	749
	HEIGHT mm	1160
BODY	THICKNESS mm	1.5
	SINGLE-BODY CONSTRUCTION BENT AND CONTINUOUSLY WELDED	
DOOR	THICKNESS mm	1.5
	AIS I 304 STAINLESS STEEL CONCEALED HINGES, DOOR OPENING GREATER THAN 120°	
	POLYURETHANE GASKET (RANGE TEMPERATURE: -40°C + 90°C)	
	PORTHOLE MATERIAL: LEXAN	
NUMBER OF DOORS	1	
NUMBER OF HINGES	3	
NUMBER OF LOCKS	3	
LOCK	CHROMED ZAMAK 3MM DOUBLE BIT LOCK	
NUMBER OF REAR FIXING	6	
FIXING INSERT	BLIND THREADED M6	
REAR FIXING DISTANCE	WIDTH mm	710
	HEIGHT mm	570
SUPPLY KIT	INTERNAL PLATE FIXING SCREWS KIT AND DOUBLE FIN KEY	
	GROUNDING SCREW KIT	
PACKAGING	CARDBOARD	
WEIGHT (PLATE EXCLUDED)	Kg	23.62
VOLUME	m ³	0.29

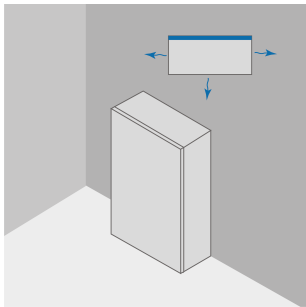
**(OPTIONAL)
INTERNAL PLATE**

PLATE CODE	CPE080120
MATERIAL	GALVANIZED STEEL
WIDTH mm	747
HEIGHT mm	1170
THICKNESS mm	2.5
ENCUMBRANCE mm	14
WEIGHT Kg	24.03.00

POWER DISSIPATION TABLES

POWER DISSIPATION

MAXIMUM DISSIPABLE POWER IN WATT (W) FOR ALLOWED OVERTEMPERATURE (T °)
 VALUES (EXTERNAL TEMP. + OVERTEMPERATURE = 60 ° C)



			REAR RAGAINST WALL			
			OVERTEMPERATURE VALUES (dT)			
W	H	D	25°C	30°C	35°C	40°C
mm	mm	mm	W	W	W	W
800	1200	300	224	269	256	359

POWER DISSIPATION

MAXIMUM DISSIPABLE POWER IN WATT (W) FOR ALLOWED OVERTEMPERATURE (T °)
 VALUES (EXTERNAL TEMP. + OVERTEMPERATURE = 60 ° C)



			ALL SIDES FREE			
			OVERTEMPERATURE VALUES (dT)			
W	H	D	25°C	30°C	35°C	40°C
mm	mm	mm	W	W	W	W
800	1200	300	171	204	195	273

download link CAD drawing: <https://www.compex.it/download/>