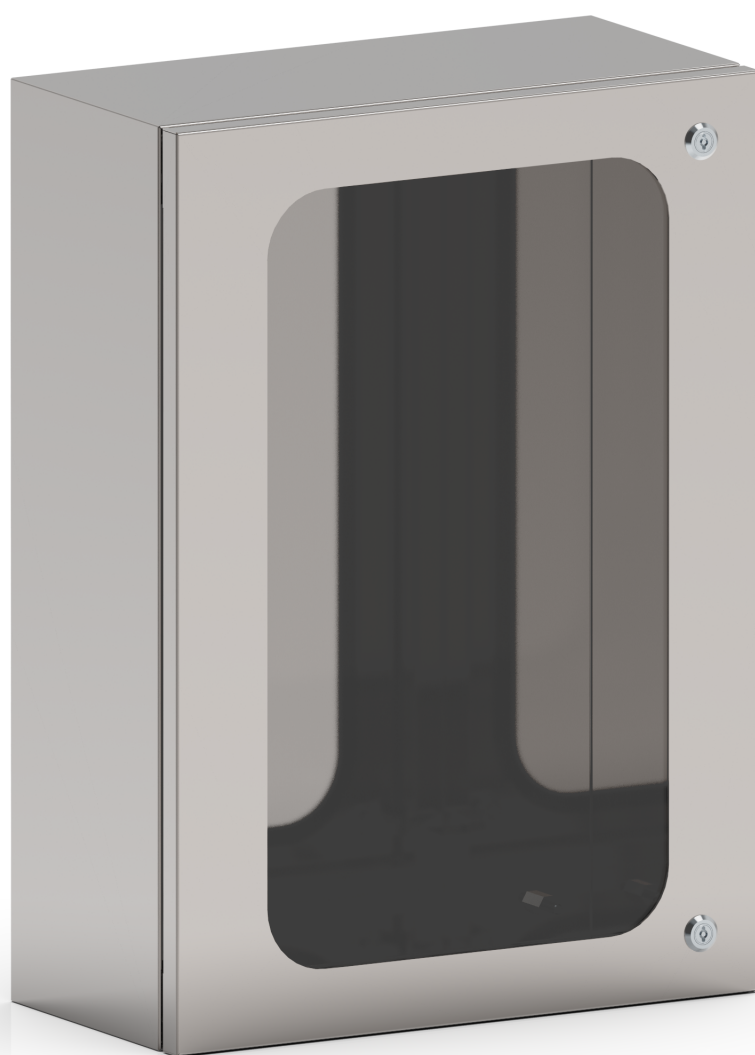


## PRODUCT DESCRIPTION



# CLA05005021

ENCLOSURE WITH LEXAN DOOR

\*representative image

## TECHNICAL CHARACTERISTICS

<b>PRODUCT CODE</b>	CLA05005021	
<b>DESCRIPTION</b>	ENCLOSURE WITH LEXAN DOOR W500 X H500 X D210	
<b>MATERIAL</b>	STAINLESS STEEL AISI 304 (1.4301)	
<b>MATERIAL FINISHING</b>	SCOTCH BRITE	
<b>IP PROTECTION GRADE EN 60529</b>	IP66	
<b>IK RATING EN 62262</b>	IK10	
<b>NEMA RATING 250</b>	4X	
<b>UL/CSA UL508A CERTIFICATION, CSA C22.2 n° 14-13</b>	NEMA 1.12.4.4X	
<b>DIMENSIONS</b>	WIDTH mm	500
	HEIGHT mm	500
	DEPTH mm	210
<b>VIEWING DIMENSIONS</b>	WIDTH mm	449
	HEIGHT mm	460
<b>BODY</b>	THICKNESS mm	1.2
	SINGLE-BODY CONSTRUCTION BENT AND CONTINUOUSLY WELDED	
<b>DOOR</b>	THICKNESS mm	1.2
	AIS I 304 STAINLESS STEEL CONCEALED HINGES, DOOR OPENING GREATER THAN 120°	
	POLYURETHANE GASKET (RANGE TEMPERATURE: -40°C + 90°C)	
	PORTHOLE MATERIAL: LEXAN	
<b>NUMBER OF DOORS</b>	1	
<b>NUMBER OF HINGES</b>	2	
<b>NUMBER OF LOCKS</b>	2	
<b>LOCK</b>	CHROMED ZAMAK 3MM DOUBLE BIT LOCK	
<b>NUMBER OF REAR FIXING</b>	4	
<b>FIXING INSERT</b>	BLIND THREADED M6	
<b>REAR FIXING DISTANCE</b>	WIDTH mm	410
	HEIGHT mm	440
<b>SUPPLY KIT</b>	INTERNAL PLATE FIXING SCREWS KIT AND DOUBLE FIN KEY	
	GROUNDING SCREW KIT	
<b>PACKAGING</b>	CARDBOARD	
<b>WEIGHT (PLATE EXCLUDED)</b>	Kg	5.04
<b>VOLUME</b>	m <sup>3</sup>	0.05

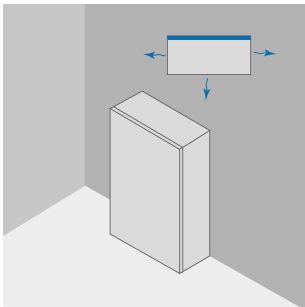
**(OPTIONAL)  
INTERNAL PLATE**

<b>PLATE CODE</b>	CPE050050
<b>MATERIAL</b>	GALVANIZED STEEL
<b>WIDTH mm</b>	447
<b>HEIGHT mm</b>	470
<b>THICKNESS mm</b>	2.5
<b>ENCUMBRANCE mm</b>	14
<b>WEIGHT Kg</b>	24.03.00

## POWER DISSIPATION TABLES

### POWER DISSIPATION

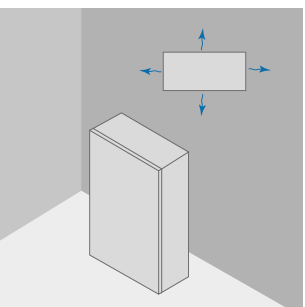
MAXIMUM DISSIPABLE POWER IN WATT (W) FOR ALLOWED OVERTEMPERATURE (T °)  
 VALUES (EXTERNAL TEMP. + OVERTEMPERATURE = 60 ° C)



			REAR RAGAINST WALL			
W	H	D	OVERTEMPERATURE VALUES (dT)			
			25°C	30°C	35°C	40°C
mm	mm	mm	W	W	W	W
500	500	210	69	83	97	110

### POWER DISSIPATION

MAXIMUM DISSIPABLE POWER IN WATT (W) FOR ALLOWED OVERTEMPERATURE (T °)  
 VALUES (EXTERNAL TEMP. + OVERTEMPERATURE = 60 ° C)



			ALL SIDES FREE			
W	H	D	OVERTEMPERATURE VALUES (dT)			
			25°C	30°C	35°C	40°C
mm	mm	mm	W	W	W	W
500	500	210	55	66	77	97

download link CAD drawing: <https://www.compex.it/download/>