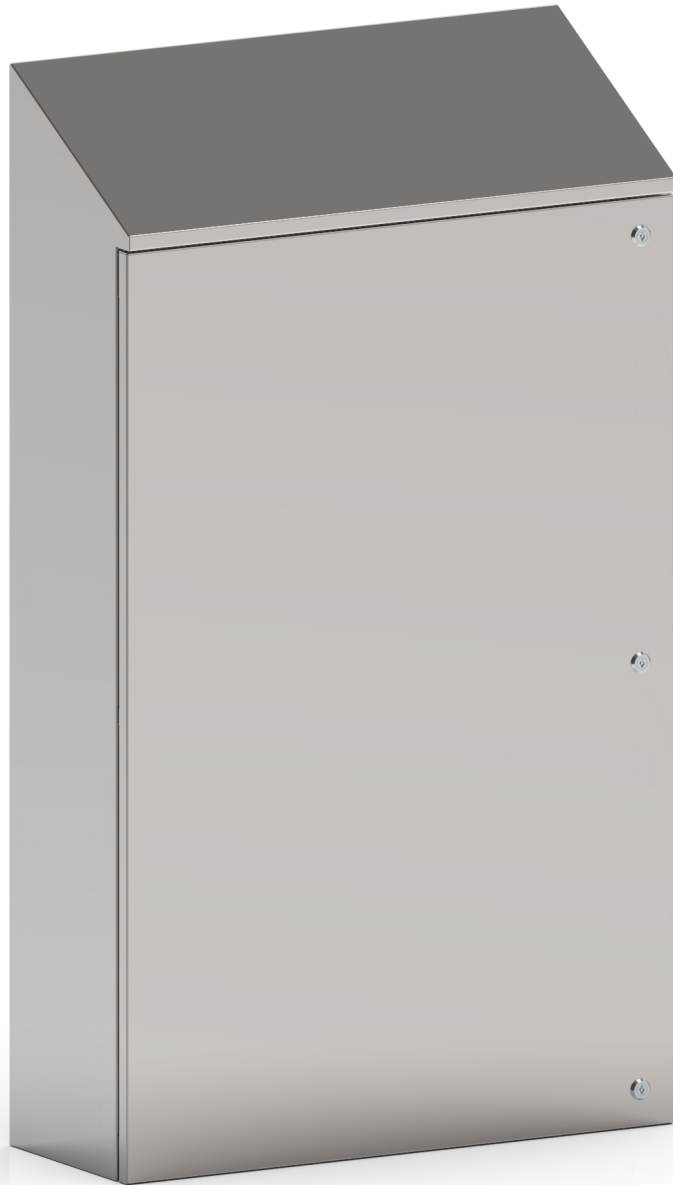


## PRODUCT DESCRIPTION



# CHA08010030

HYGIENIC DESIGN ENCLOSURE (30° RAIN CANOPY)

\*representative image

## TECHNICAL CHARACTERISTICS

<b>PRODUCT CODE</b>	CHA08010030
<b>DESCRIPTION</b>	HYGIENIC DESIGN ENCLOSURES (30° RAIN CANOPY) W800 X H1000 X D300
<b>MATERIAL</b>	STAINLESS STEEL AISI 304 (1.4301)
<b>MATERIAL FINISHING</b>	SCOTCH BRITE

**IP PROTECTION GRADE EN 60529** IP66

**IK RATING EN 62262** IK10

**NEMA RATING 250** 4X

**UL/CSA UL508A CERTIFICATION,  
CSA C22.2 n° 14-13** NEMA 1.12.4.4X

<b>DIMENSIONS</b>	WIDTH mm	800
	HEIGHT mm	1000
	HEIGHT H1 mm	1195
	DEPTH mm	300

<b>BODY</b>	THICKNESS mm	1.5
	SINGLE-BODY CONSTRUCTION BENT AND CONTINUOUSLY WELDED	

<b>DOOR</b>	THICKNESS mm	1.5
	AIS I 304 STAINLESS STEEL CONCEALED HINGES, DOOR OPENING GREATER THAN 120° POLYURETHANE GASKET (RANGE TEMPERATURE: -40°C + 90°C)	

**NUMBER OF DOORS** 1

**NUMBER OF HINGES** 3

**NUMBER OF LOCKS** 3

**LOCK** CHROMED ZAMAK 3MM DOUBLE BIT LOCK

**NUMBER OF REAR FIXING** 6

**FIXING INSERT** BLIND THREADED M6

<b>REAR FIXING DISTANCE</b>	WIDTH mm	710
	HEIGHT mm	470

**SUPPLY KIT** INTERNAL PLATE FIXING SCREWS KIT AND DOUBLE FIN KEY  
GROUNDING SCREW KIT

**PACKAGING** CARDBOARD

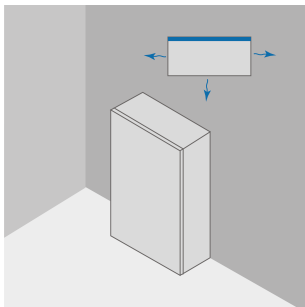
<b>WEIGHT (PLATE EXCLUDED)</b>	Kg	54
--------------------------------	----	----

<b>VOLUME</b>	m <sup>3</sup>	0.3
---------------	----------------	-----

<b>(OPTIONAL)</b>  <b>INTERNAL PLATE</b>	<b>PLATE CODE</b>	CPE080100
	<b>MATERIAL</b>	GALVANIZED STEEL
	<b>WIDTH mm</b>	947
	<b>HEIGHT mm</b>	1165
	<b>ENCUMBRANCE mm</b>	14
	<b>THICKNESS mm</b>	2.5
	<b>WEIGHT Kg</b>	19.77

## POWER DISSIPATION TABLES

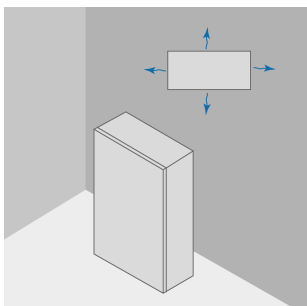
### POWER DISSIPATION



MAXIMUM DISSIPABLE POWER IN WATT (W) FOR ALLOWED OVERTEMPERATURE (T °)  
 VALUES (EXTERNAL TEMP. + OVERTEMPERATURE = 60 ° C)

			REAR RAGAINST WALL			
			OVERTEMPERATURE VALUES (dT)			
<b>W</b>	<b>H</b>	<b>D</b>	25°C	30°C	35°C	40°C
mm	mm	mm	W	W	W	W
800	1000	300	156	201	234	268

### POWER DISSIPATION



MAXIMUM DISSIPABLE POWER IN WATT (W) FOR ALLOWED OVERTEMPERATURE (T °)  
 VALUES (EXTERNAL TEMP. + OVERTEMPERATURE = 60 ° C)

			ALL SIDES FREE			
			OVERTEMPERATURE VALUES (dT)			
<b>W</b>	<b>H</b>	<b>D</b>	25°C	30°C	35°C	40°C
mm	mm	mm	W	W	W	W
800	1000	300	120	155	180	206

download link CAD drawing: <https://www.compex.it/download/>