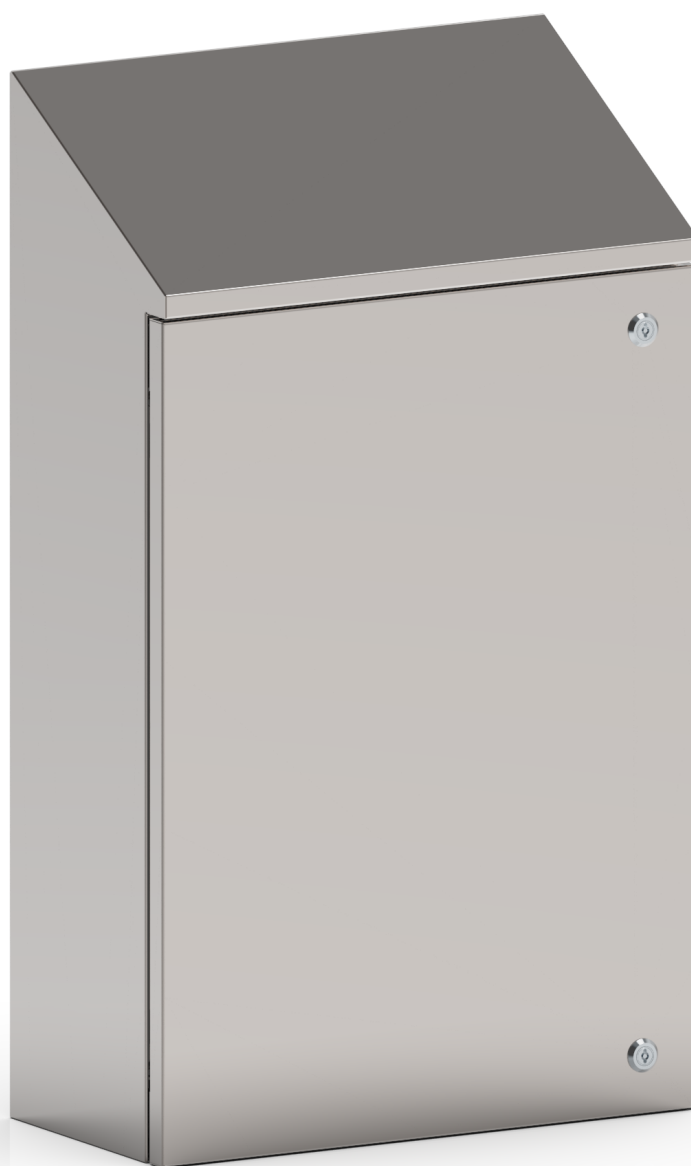


PRODUCT DESCRIPTION



CHA06008030

HYGIENIC DESIGN ENCLOSURE (30° RAIN CANOPY)

*representative image

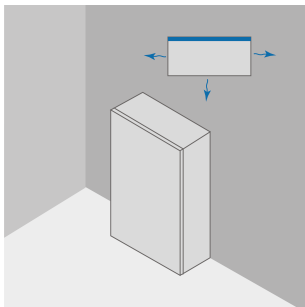
TECHNICAL CHARACTERISTICS

PRODUCT CODE	CHA06008030	
DESCRIPTION	HYGIENIC DESIGN ENCLOSURES (30° RAIN CANOPY) W600 X H800 X D300	
MATERIAL	STAINLESS STEEL AISI 304 (1.4301)	
MATERIAL FINISHING	SCOTCH BRITE	
IP PROTECTION GRADE EN 60529	IP66	
IK RATING EN 62262	IK10	
NEMA RATING 250	4X	
UL/CSA UL508A CERTIFICATION, CSA C22.2 n° 14-13	NEMA 1.12.4.4X	
DIMENSIONS	WIDTH mm	600
	HEIGHT mm	800
	HEIGHT H1 mm	995
	DEPTH mm	300
BODY	THICKNESS mm	1.2
	SINGLE-BODY CONSTRUCTION BENT AND CONTINUOUSLY WELDED	
DOOR	THICKNESS mm	1.5
	AIS1 304 STAINLESS STEEL CONCEALED HINGES, DOOR OPENING GREATER THAN 120° POLYURETHANE GASKET (RANGE TEMPERATURE: -40°C + 90°C)	
NUMBER OF DOORS	1	
NUMBER OF HINGES	2	
NUMBER OF LOCKS	2	
LOCK	CHROMED ZAMAK 3MM DOUBLE BIT LOCK	
NUMBER OF REAR FIXING	4	
FIXING INSERT	BLIND THREADED M6	
REAR FIXING DISTANCE	WIDTH mm	510
	HEIGHT mm	740
SUPPLY KIT	INTERNAL PLATE FIXING SCREWS KIT AND DOUBLE FIN KEY	
	GROUNDING SCREW KIT	
PACKAGING	CARDBOARD	
WEIGHT (PLATE EXCLUDED)	Kg	33.5
VOLUME	m ³	0.19

(OPTIONAL) INTERNAL PLATE	PLATE CODE	CPE060080
	MATERIAL	GALVANIZED STEEL
	WIDTH mm	747
	HEIGHT mm	965
	ENCUMBRANCE mm	14
	THICKNESS mm	2.5
	WEIGHT Kg	12.35

POWER DISSIPATION TABLES

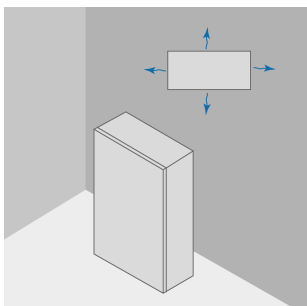
POWER DISSIPATION



MAXIMUM DISSIPABLE POWER IN WATT (W) FOR ALLOWED OVERTEMPERATURE (T °)
 VALUES (EXTERNAL TEMP. + OVERTEMPERATURE = 60 ° C)

			REAR RAGAINST WALL			
			OVERTEMPERATURE VALUES (dT)			
W	H	D	25°C	30°C	35°C	40°C
mm	mm	mm	W	W	W	W
600	800	300	112	134	157	179

POWER DISSIPATION



MAXIMUM DISSIPABLE POWER IN WATT (W) FOR ALLOWED OVERTEMPERATURE (T °)
 VALUES (EXTERNAL TEMP. + OVERTEMPERATURE = 60 ° C)

			ALL SIDES FREE			
			OVERTEMPERATURE VALUES (dT)			
W	H	D	25°C	30°C	35°C	40°C
mm	mm	mm	W	W	W	W
600	800	300	90	107	125	143

download link CAD drawing: <https://www.compex.it/download/>