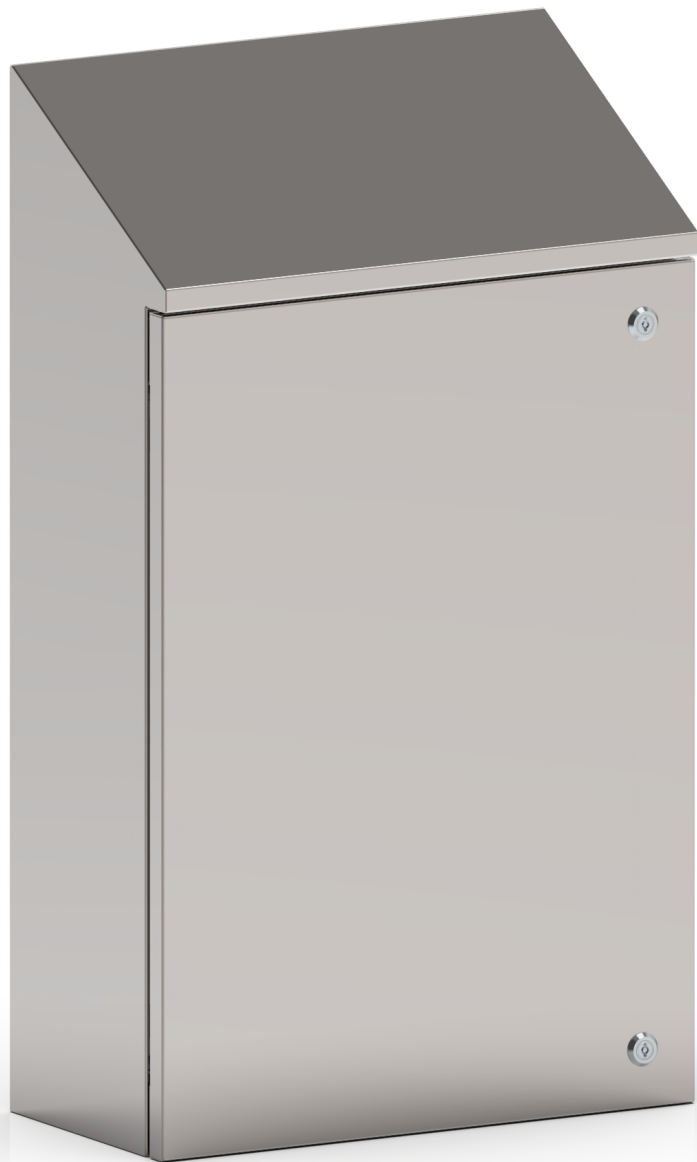


PRODUCT DESCRIPTION



CHA05007025

HYGIENIC DESIGN ENCLOSURE (30° RAIN CANOPY)

*representative image

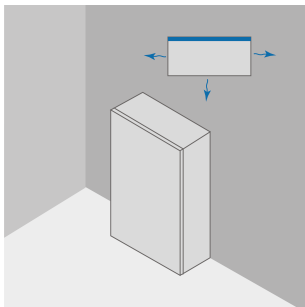
TECHNICAL CHARACTERISTICS

| | | |
|--|---|------|
| PRODUCT CODE | CHA05007025 | |
| DESCRIPTION | HYGIENIC DESIGN ENCLOSURES (30° RAIN CANOPY) W500 X H700 X D250 | |
| MATERIAL | STAINLESS STEEL AISI 304 (1.4301) | |
| MATERIAL FINISHING | SCOTCH BRITE | |
| IP PROTECTION GRADE EN 60529 | IP66 | |
| IK RATING EN 62262 | IK10 | |
| NEMA RATING 250 | 4X | |
| UL/CSA UL508A CERTIFICATION, CSA C22.2 n° 14-13 | NEMA 1.12.4.4X | |
| DIMENSIONS | WIDTH mm | 500 |
| | HEIGHT mm | 700 |
| | HEIGHT H1 mm | 866 |
| | DEPTH mm | 250 |
| BODY | THICKNESS mm | 1.2 |
| | SINGLE-BODY CONSTRUCTION BENT AND CONTINUOUSLY WELDED | |
| DOOR | THICKNESS mm | 1.2 |
| | AISII 304 STAINLESS STEEL CONCEALED HINGES, DOOR OPENING GREATER THAN 120° POLYURETHANE GASKET (RANGE TEMPERATURE: -40°C + 90°C) | |
| NUMBER OF DOORS | 1 | |
| NUMBER OF HINGES | 2 | |
| NUMBER OF LOCKS | 2 | |
| LOCK | CHROMED ZAMAK 3MM DOUBLE BIT LOCK | |
| NUMBER OF REAR FIXING | 4 | |
| FIXING INSERT | BLIND THREADED M6 | |
| REAR FIXING DISTANCE | WIDTH mm | 410 |
| | HEIGHT mm | 640 |
| SUPPLY KIT | INTERNAL PLATE FIXING SCREWS KIT AND DOUBLE FIN KEY | |
| | GROUNDING SCREW KIT | |
| PACKAGING | CARDBOARD | |
| WEIGHT (PLATE EXCLUDED) | Kg | 23.3 |
| VOLUME | m ³ | 0.12 |

| | | |
|--------------------------------------|-----------------------|------------------|
| (OPTIONAL) INTERNAL PLATE | PLATE CODE | CPE050070 |
| | MATERIAL | GALVANIZED STEEL |
| | WIDTH mm | 647 |
| | HEIGHT mm | 836 |
| | ENCUMBRANCE mm | 14 |
| | THICKNESS mm | 2.5 |
| | WEIGHT Kg | 8.35 |

POWER DISSIPATION TABLES

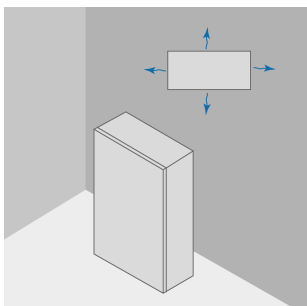
POWER DISSIPATION



MAXIMUM DISSIPABLE POWER IN WATT (W) FOR ALLOWED OVERTEMPERATURE (T °)
 VALUES (EXTERNAL TEMP. + OVERTEMPERATURE = 60 ° C)

| | | | REAR RAGAINST WALL | | | |
|-----|-----|-----|-----------------------------|------|------|------|
| | | | OVERTEMPERATURE VALUES (dT) | | | |
| W | H | D | 25°C | 30°C | 35°C | 40°C |
| mm | mm | mm | W | W | W | W |
| 500 | 700 | 250 | 82 | 96 | 112 | 128 |

POWER DISSIPATION



MAXIMUM DISSIPABLE POWER IN WATT (W) FOR ALLOWED OVERTEMPERATURE (T °)
 VALUES (EXTERNAL TEMP. + OVERTEMPERATURE = 60 ° C)

| | | | ALL SIDES FREE | | | |
|-----|-----|-----|-----------------------------|------|------|------|
| | | | OVERTEMPERATURE VALUES (dT) | | | |
| W | H | D | 25°C | 30°C | 35°C | 40°C |
| mm | mm | mm | W | W | W | W |
| 500 | 700 | 250 | 67 | 78 | 92 | 105 |

download link CAD drawing: <https://www.compex.it/download/>