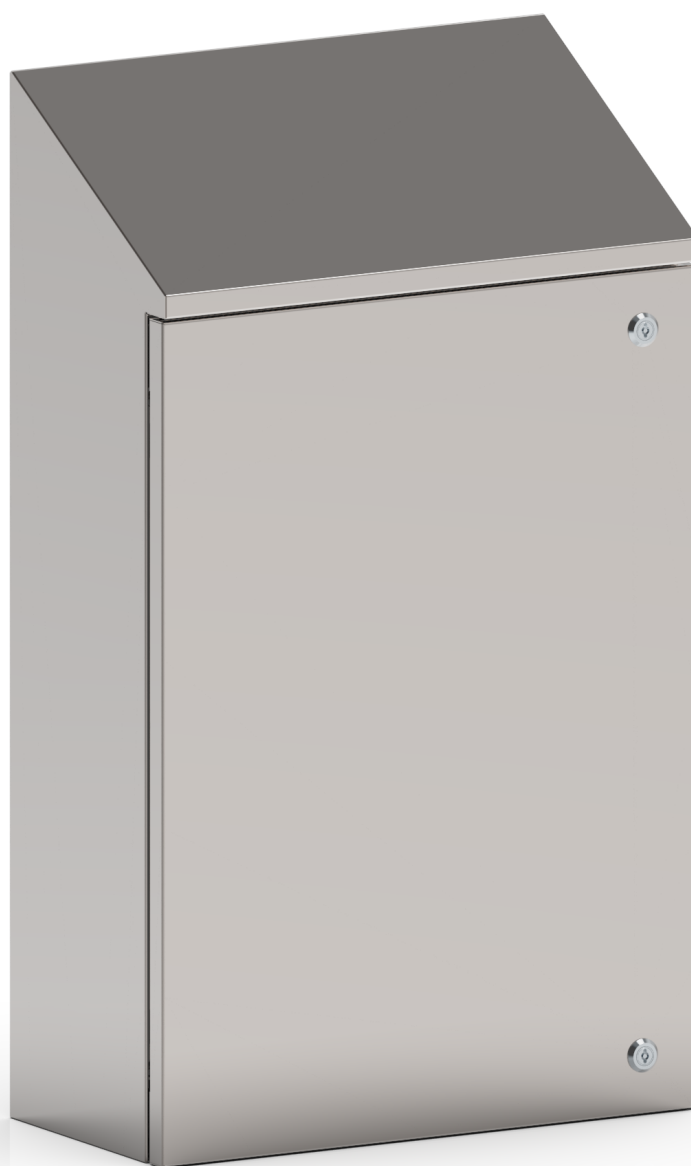


## PRODUCT DESCRIPTION



# CHA05005030

HYGIENIC DESIGN ENCLOSURE (30° RAIN CANOPY)

\*representative image

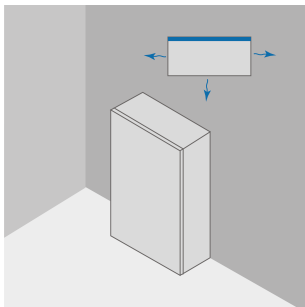
## TECHNICAL CHARACTERISTICS

<b>PRODUCT CODE</b>	CHA05005030	
<b>DESCRIPTION</b>	HYGIENIC DESIGN ENCLOSURES (30° RAIN CANOPY) W500 X H500 X D300	
<b>MATERIAL</b>	STAINLESS STEEL AISI 304 (1.4301)	
<b>MATERIAL FINISHING</b>	SCOTCH BRITE	
<b>IP PROTECTION GRADE EN 60529</b>	IP66	
<b>IK RATING EN 62262</b>	IK10	
<b>NEMA RATING 250</b>	4X	
<b>UL/CSA UL508A CERTIFICATION, CSA C22.2 n° 14-13</b>	NEMA 1.12.4.4X	
<b>DIMENSIONS</b>	WIDTH mm	500
	HEIGHT mm	500
	HEIGHT H1 mm	695
	DEPTH mm	300
<b>BODY</b>	THICKNESS mm	1.2
	SINGLE-BODY CONSTRUCTION BENT AND CONTINUOUSLY WELDED	
<b>DOOR</b>	THICKNESS mm	1.2
	AISII 304 STAINLESS STEEL CONCEALED HINGES, DOOR OPENING GREATER THAN 120° POLYURETHANE GASKET (RANGE TEMPERATURE: -40°C + 90°C)	
<b>NUMBER OF DOORS</b>	1	
<b>NUMBER OF HINGES</b>	2	
<b>NUMBER OF LOCKS</b>	2	
<b>LOCK</b>	CHROMED ZAMAK 3MM DOUBLE BIT LOCK	
<b>NUMBER OF REAR FIXING</b>	4	
<b>FIXING INSERT</b>	BLIND THREADED M6	
<b>REAR FIXING DISTANCE</b>	WIDTH mm	410
	HEIGHT mm	440
<b>SUPPLY KIT</b>	INTERNAL PLATE FIXING SCREWS KIT AND DOUBLE FIN KEY	
	GROUNDING SCREW KIT	
<b>PACKAGING</b>	CARDBOARD	
<b>WEIGHT (PLATE EXCLUDED)</b>	Kg	22.9
<b>VOLUME</b>	m <sup>3</sup>	0.09

<b>(OPTIONAL)</b>  <b>INTERNAL PLATE</b>	<b>PLATE CODE</b>	CPE050050
	<b>MATERIAL</b>	GALVANIZED STEEL
	<b>WIDTH mm</b>	447
	<b>HEIGHT mm</b>	665
	<b>ENCUMBRANCE mm</b>	-
	<b>THICKNESS mm</b>	2.5
	<b>WEIGHT Kg</b>	5.04

## POWER DISSIPATION TABLES

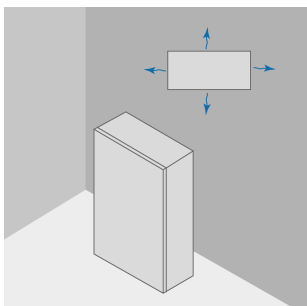
### POWER DISSIPATION



MAXIMUM DISSIPABLE POWER IN WATT (W) FOR ALLOWED OVERTEMPERATURE (T °)  
 VALUES (EXTERNAL TEMP. + OVERTEMPERATURE = 60 ° C)

			REAR RAGAINST WALL			
			OVERTEMPERATURE VALUES (dT)			
<b>W</b>	<b>H</b>	<b>D</b>	25°C	30°C	35°C	40°C
mm	mm	mm	W	W	W	W
500	500	300	78	116	136	155

### POWER DISSIPATION



MAXIMUM DISSIPABLE POWER IN WATT (W) FOR ALLOWED OVERTEMPERATURE (T °)  
 VALUES (EXTERNAL TEMP. + OVERTEMPERATURE = 60 ° C)

			ALL SIDES FREE			
			OVERTEMPERATURE VALUES (dT)			
<b>W</b>	<b>H</b>	<b>D</b>	25°C	30°C	35°C	40°C
mm	mm	mm	W	W	W	W
500	500	300	62	92	108	124

download link CAD drawing: <https://www.compex.it/download/>