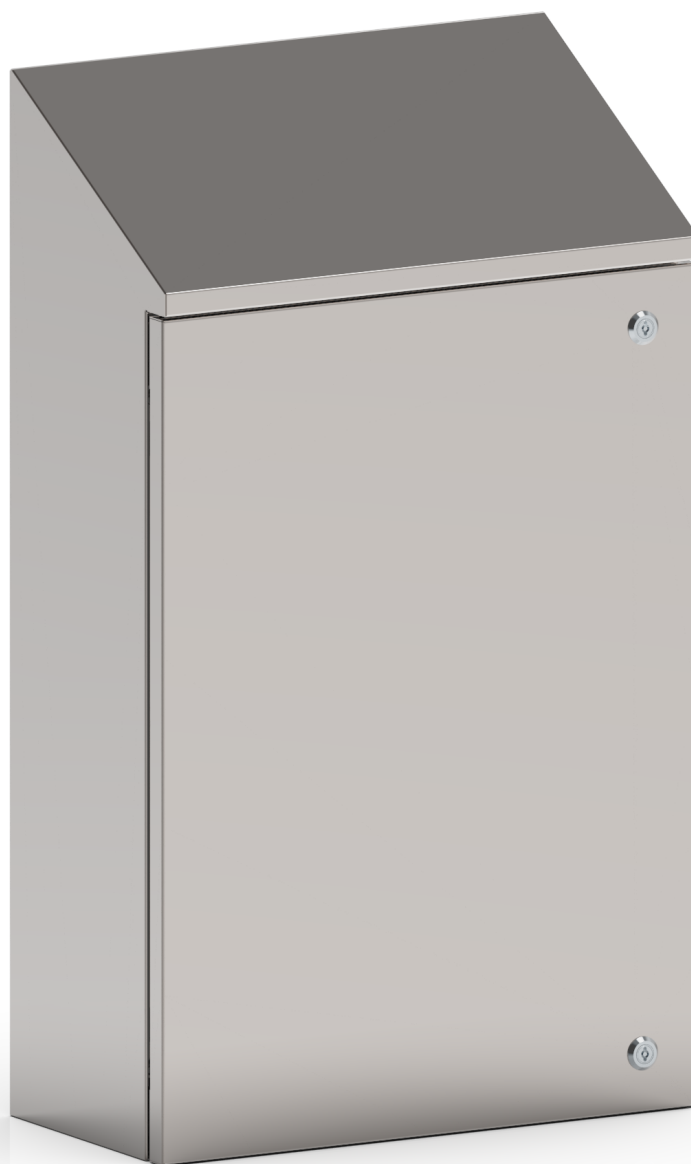


PRODUCT DESCRIPTION



CHA04005021

HYGIENIC DESIGN ENCLOSURE (30° RAIN CANOPY)

*representative image

TECHNICAL CHARACTERISTICS

PRODUCT CODE	CHA04005021
DESCRIPTION	HYGIENIC DESIGN ENCLOSURES (30° RAIN CANOPY) W400 X H500 X D210
MATERIAL	STAINLESS STEEL AISI 304 (1.4301)
MATERIAL FINISHING	SCOTCH BRITE

IP PROTECTION GRADE EN 60529 IP66

IK RATING EN 62262 IK10

NEMA RATING 250 4X

**UL/CSA UL508A CERTIFICATION,
CSA C22.2 n° 14-13** NEMA 1.12.4.4X

DIMENSIONS	WIDTH mm	400
	HEIGHT mm	500
	HEIGHT H1 mm	643
	DEPTH mm	210

BODY	THICKNESS mm	1.2
	SINGLE-BODY CONSTRUCTION BENT AND CONTINUOUSLY WELDED	

DOOR	THICKNESS mm	1.2
	AIS I 304 STAINLESS STEEL CONCEALED HINGES, DOOR OPENING GREATER THAN 120° POLYURETHANE GASKET (RANGE TEMPERATURE: -40°C + 90°C)	

NUMBER OF DOORS 1

NUMBER OF HINGES 2

NUMBER OF LOCKS 2

LOCK CHROMED ZAMAK 3MM DOUBLE BIT LOCK

NUMBER OF REAR FIXING 4

FIXING INSERT BLIND THREADED M6

REAR FIXING DISTANCE	WIDTH mm	310
	HEIGHT mm	440

SUPPLY KIT INTERNAL PLATE FIXING SCREWS KIT AND DOUBLE FIN KEY
GROUNDING SCREW KIT

PACKAGING CARDBOARD

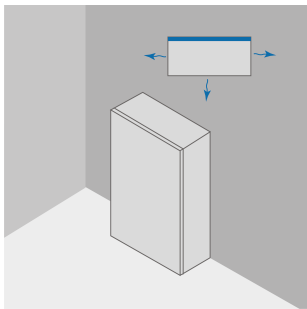
WEIGHT (PLATE EXCLUDED) Kg 15.1

VOLUME m³ 0.05

(OPTIONAL) INTERNAL PLATE	PLATE CODE	CPE040050
	MATERIAL	GALVANIZED STEEL
	WIDTH mm	447
	HEIGHT mm	613
	ENCUMBRANCE mm	-
	THICKNESS mm	2.5
	WEIGHT Kg	4.31

POWER DISSIPATION TABLES

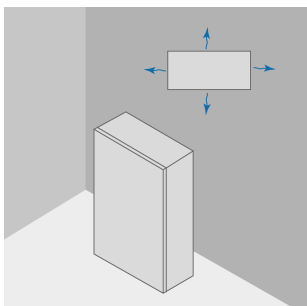
POWER DISSIPATION



MAXIMUM DISSIPABLE POWER IN WATT (W) FOR ALLOWED OVERTEMPERATURE (T °)
 VALUES (EXTERNAL TEMP. + OVERTEMPERATURE = 60 ° C)

			REAR RAGAINST WALL			
			OVERTEMPERATURE VALUES (dT)			
W	H	D	25°C	30°C	35°C	40°C
mm	mm	mm	W	W	W	W
400	500	210	50	60	71	81

POWER DISSIPATION



MAXIMUM DISSIPABLE POWER IN WATT (W) FOR ALLOWED OVERTEMPERATURE (T °)
 VALUES (EXTERNAL TEMP. + OVERTEMPERATURE = 60 ° C)

			ALL SIDES FREE			
			OVERTEMPERATURE VALUES (dT)			
W	H	D	25°C	30°C	35°C	40°C
mm	mm	mm	W	W	W	W
400	500	210	41	50	59	68

download link CAD drawing: <https://www.compex.it/download/>