

PRODUCT DESCRIPTION



CCA04006025

ENCLOSURE WITH BLIND DOOR, 1 DOOR

*representative image

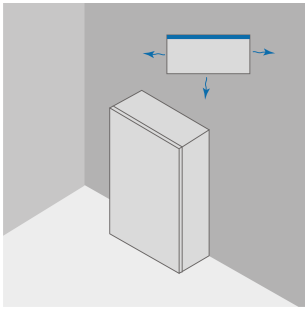
TECHNICAL CHARACTERISTICS

PRODUCT CODE	CCA04006025	
DESCRIPTION	ENCLOSURE WITH BLIND DOOR, 1 DOOR W400 X H600 X D250	
MATERIAL	STAINLESS STEEL AISI 304 (1.4301)	
MATERIAL FINISHING	SCOTCH BRITE	
IP PROTECTION GRADE EN 60529	IP66	
IK RATING EN 62262	IK10	
NEMA RATING 250	4X	
UL/CSA UL508A CERTIFICATION, CSA C22.2 n° 14-13	NEMA 1.12.4.4X	
DIMENSIONS	WIDTH mm	400
	HEIGHT mm	600
	DEPTH mm	250
BODY	THICKNESS mm	1.2
	SINGLE-BODY CONSTRUCTION BENT AND CONTINUOUSLY WELDED	
DOOR	THICKNESS mm	1.2
	AIS I 304 STAINLESS STEEL CONCEALED HINGES, DOOR OPENING GREATER THAN 120° POLYURETHANE GASKET (RANGE TEMPERATURE: -40°C + 90°C)	
NUMBER OF DOORS	1	
NUMBER OF HINGES	2	
NUMBER OF LOCKS	2	
LOCK	CHROMED ZAMAK 3MM DOUBLE BIT LOCK	
NUMBER OF REAR FIXING	4	
FIXING INSERT	BLIND THREADED M6	
REAR FIXING DISTANCE	WIDTH mm	310
	HEIGHT mm	540
SUPPLY KIT	INTERNAL PLATE FIXING SCREWS KIT AND DOUBLE FIN KEY	
	GROUNDING SCREW KIT	
PACKAGING	CARDBOARD	
WEIGHT (PLATE EXCLUDED)	Kg	16.3
VOLUME	m ²	0.06

(OPTIONAL) INTERNAL PLATE	PLATE CODE	CPE040060
	MATERIAL	GALVANIZED STEEL
	WIDTH mm	347
	HEIGHT mm	570
	ENCUMBRANCE mm	14
	THICKNESS mm	2.5
	WEIGHT Kg	5.38

POWER DISSIPATION TABLES

POWER DISSIPATION



MAXIMUM DISSIPABLE POWER IN WATT (W) FOR ALLOWED OVERTEMPERATURE (T °) VALUES (EXTERNAL TEMP. + OVERTEMPERATURE = 60 ° C)

			REAR RAGAINST WALL			
W	H	D	OVERTEMPERATURE VALUES (dT)			
			25 °C	30 °C	35 °C	40 °C
mm	mm	mm	W	W	W	W
400	600	250	86	104	121	138

POWER DISSIPATION



MAXIMUM DISSIPABLE POWER IN WATT (W) FOR ALLOWED OVERTEMPERATURE (T °) VALUES (EXTERNAL TEMP. + OVERTEMPERATURE = 60 ° C)

			ALL SIDES FREE			
W	H	D	OVERTEMPERATURE VALUES (dT)			
			25 °C	30 °C	35 °C	40 °C
mm	mm	mm	W	W	W	W
400	600	250	70	85	99	113

download link CAD drawing: <https://www.compex.it/download/>